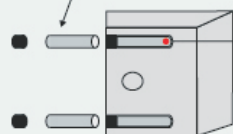




LL-20 LEVER LOCK

LL-20 LEVER LOCK

- Prepared for both 8 mm and 10mm glass thickness.
- Prepared for europrofile cylinder, night latch function.
- Prepared square hole for all lever handles with 8 mm square spindle.
- For left hand or right hand open, lock body & night latch can be reversed easily by loosening screws only.
- **For security, nightlatch(bolt) with two hardened roller pins inside.**



1



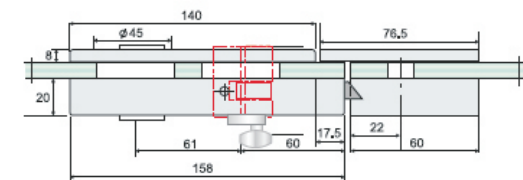
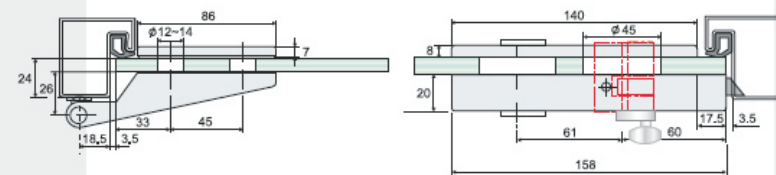
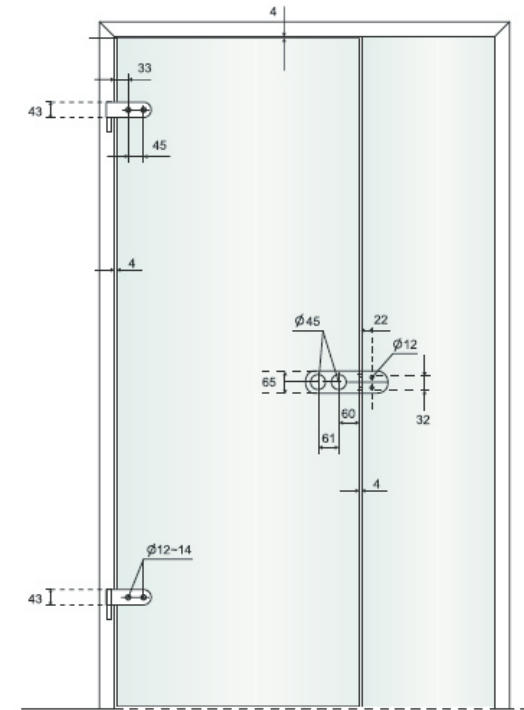
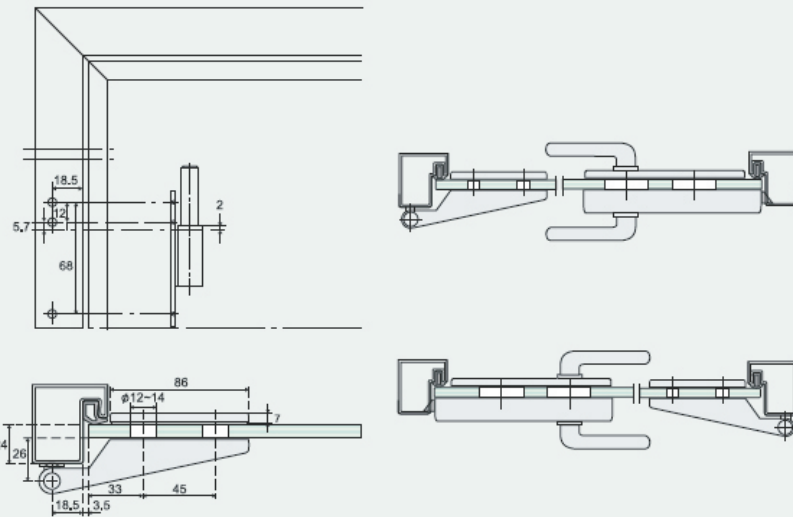
LL-20K STRIKE BOX



2

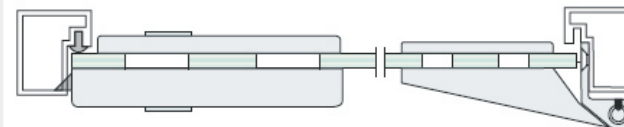
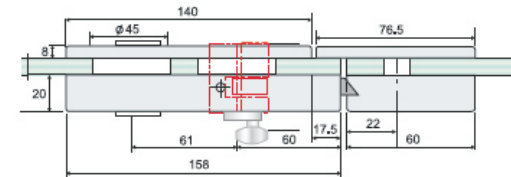
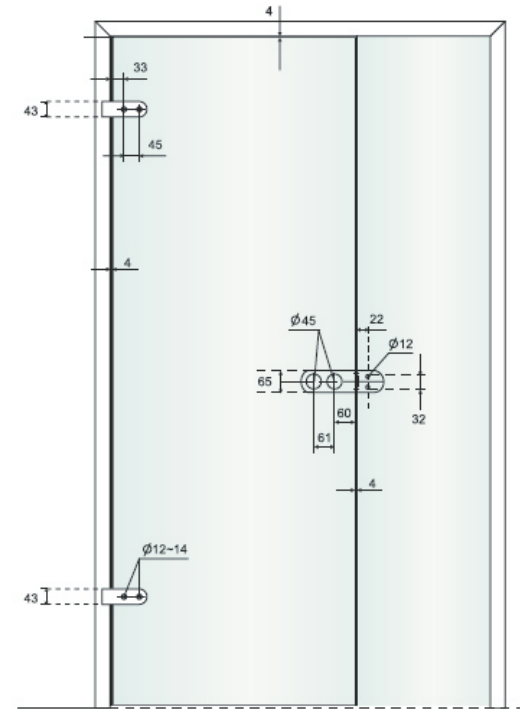
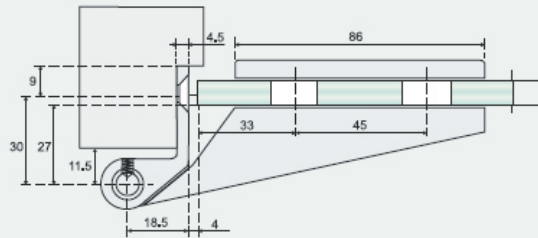
LH-30 LEVER HINGE

- Prepared for both 8 mm and 10mm glass thickness.
- Complete with screw-on frame pivot, plastic bushing & push-on sleeve.
- Door width max. 1000 mm.
- Door weight max. 45kgs.



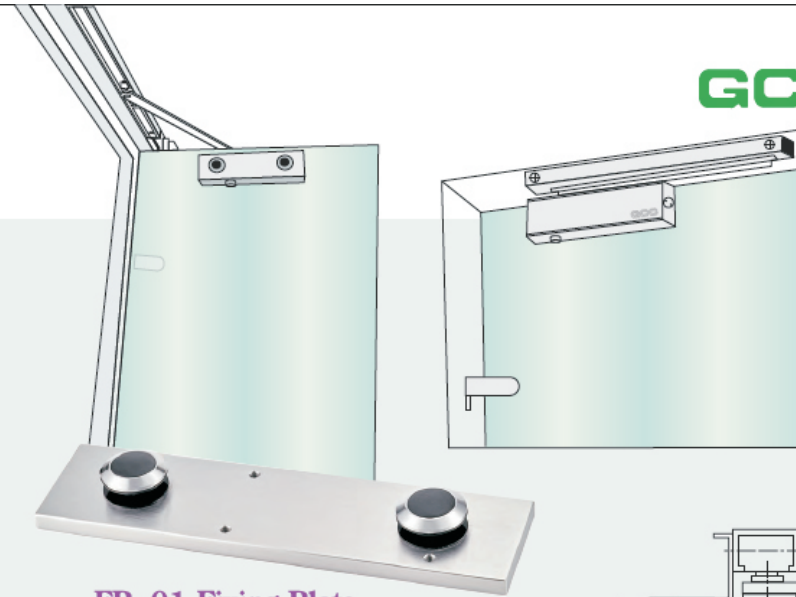
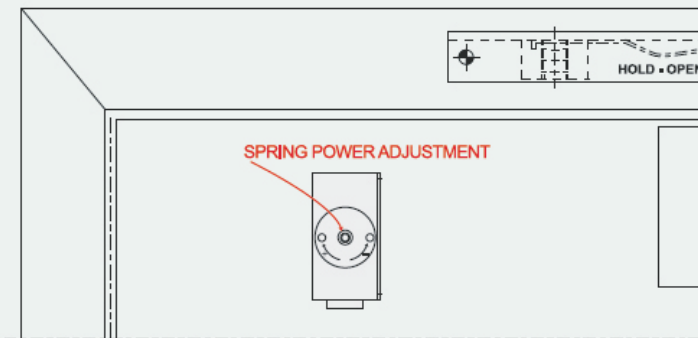
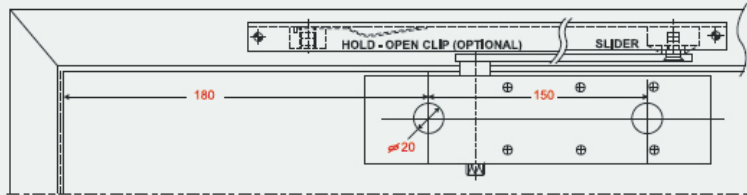
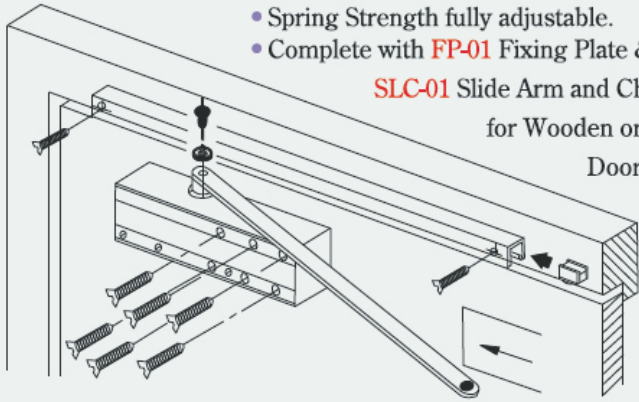
LH-32 LEVER HINGE

- Prepared for both 8 mm and 10mm glass thickness.
- Complete with frame pivot for wooden frame, steel frame or aluminium frame.
- Door width max. 1000mm
- Door weight max. 35KGS.



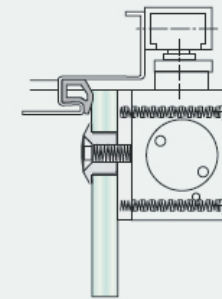
ODC-730 Overhead Door Closer

- Closer Size : 2-4
- Suitable for LH and RH doors.
- Closing Speed & latch adjustable.
- Spring Strength fully adjustable.
- Complete with **FP-01** Fixing Plate & **SLC-01** Slide Arm and Channel for Wooden or metal Door frame.

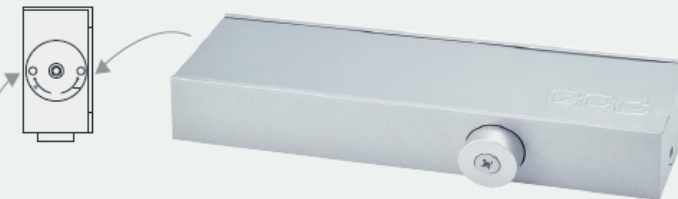


FP-01 Fixing Plate

- For fix Door Closer on glass door panel.



SLC-01 Slide Arm and Channel



ODC-730B Overhead Door Closer (Body Only)

- Closer Size : 2-4
- Suitable for LH(left hand) and RH(right hand) doors.
- Closing Speed & latch adjustable.
- Spring Strength fully adjustable.

LL-20KS Strike Box



- Complete with Stainless Steel Cover.
- Finish : PSS: Polished Stainless Steel.
SSS: Satin Stainless Steel.
Other color available by order.

LL-20S Lever Lock



LL-20K Strike Box



- Complete with Aluminium Cover.
- Finish : MS : Anodized-Mat silver.
MB : Anodized-Mat Brass.
Other color available by order.

LL-20 Lever Lock



LH-30 Lever Hinge



- Material: Solid Aluminium Alloy.
- Finish : MS : Anodized-Mat silver.
MB : Anodized-Mat Brass.
- Complete w/**LHP-407** Screw-on Frame Pivot.
Other color available by order.

LH-30S Lever Hinge



- Material : SUS 304 Solid Stainless Steel.
- Finish : PSS : Polished Stainless Steel.
SSS : Satin Stainless Steel.
- Complete w/**LHP-407S** Screw-on Frame Pivot.
Other color available by order.

LH-32 Lever Hinge



(MS)

- Material : Solid Aluminium Alloy.
- Finish : MS : Anodized-Mat silver.
MB : Anodized-Mat Brass.
Other color available by order.

LH-32 Lever Hinge



(MB)

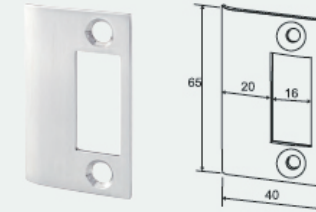


9125ST Europrofile cylinder



- Prepared size for lever lock.
- One side w/Key & one side w/Thumbturn.
- Material : Solid Brass.

LLP-401 Strike Plate



- Material : SUS 304 Stainless Steel.
- Finish : PSS : Mirror Polished.
SSS : Satin (Hairline) Polished.

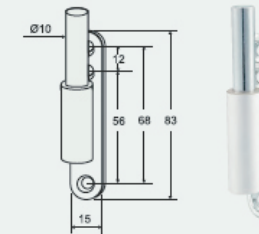
LLD-201 Lever Handle



LLD-202 Lever Handle



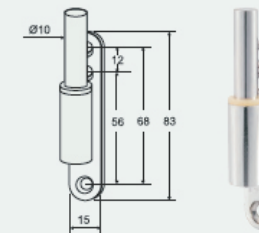
- Material : SUS 304 Stainless Steel (LLD-201/202).
- With 8mm square spindle for all lever locks.
- Finish : PSS : Mirror Polished.
SSS : Satin (Hairline) Polished.



LHP-407

Screw-on Frame Pivot

- Material: Zinc plated steel.
W/Aluminium Sleeve.



LHP-407S

Screw-on Frame Pivot

- Material: SUS 304 Stainless Steel.