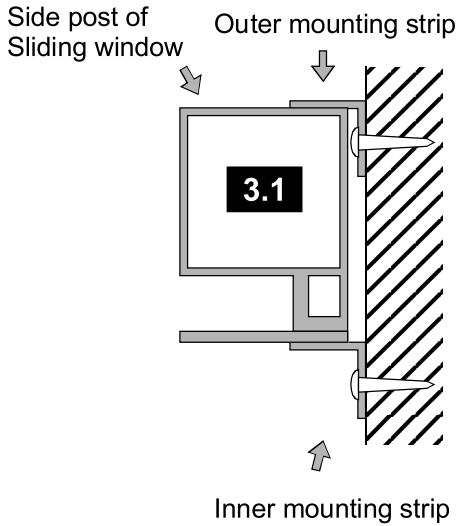


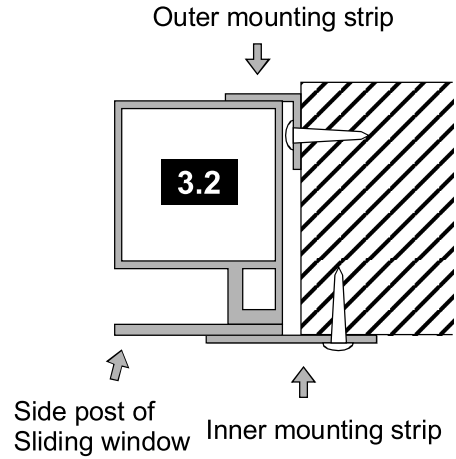
3 Examples of Alternative Methods of Mounting

Example of mounting with angle strips and without screws on the outside.

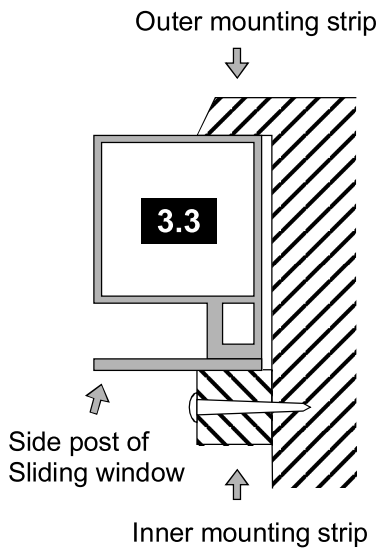


Example of mounting with angle strips and without screws on the outside.

This variant is suitable for installation in thin walls/sections.

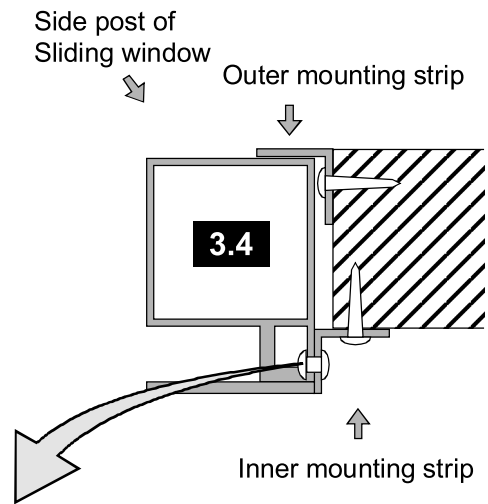


Example of mounting in a wall/section with fixed flange.



Example of mounting with angle strips and without screws on the outside.

This variant is suitable for installation in thin walls/sections.



Note that no holes may be drilled in the Sliding window since electrical parts and moving parts are mounted in these sections. The angle strip must therefore be secured to the Sliding window by the manufacturer.