

heavy-duty striker door hinge – TURA



TURA

TURA heavy-duty striker door hinge



TURA

fantastic solutions for large all-glass applications

The trend in light-flooded rooms and spacious bathrooms and also bath landscapes, continues unabated. The result is that all-glass doors must have a higher load capacity due to their larger dimensions and greater weight. Pauli + Sohn has developed the special heavy-duty hinge "TURA" for this requirement.

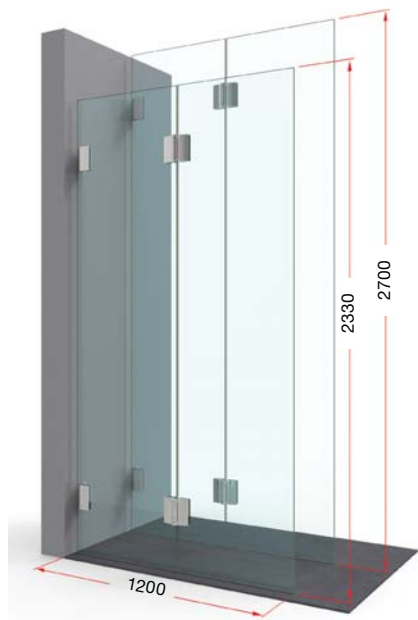
- load capacity (2 hinges):
 - max. permissible weight: 70 kg
 - max. door panel width: 1200 mm
 - max door panel height: 2700 mm
- striker door hinge: glass-wall / glass-glass
- matching corner brackets
- fully adjustable closed position
- self-closing during the last 15 - 20°
- hinge height 122 mm
- continuous seal
- areas of application: wellness area, barrier-free bathrooms, public projects

MADE
IN
GERMANY

oversizes with folding systems without risk of over opening

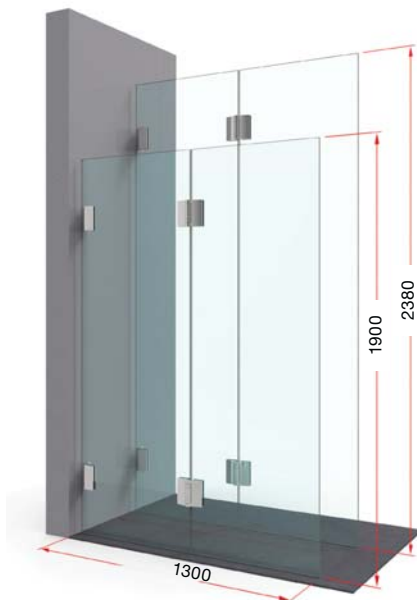
load capacity for system width
1200 mm: 70 kg

corresponds to a door height of 2330 mm with 10 mm glass
corresponds to a door height of 2700 mm with 8 mm glass



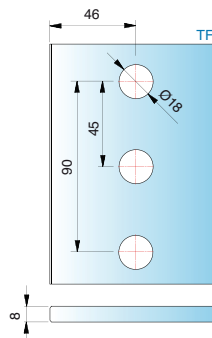
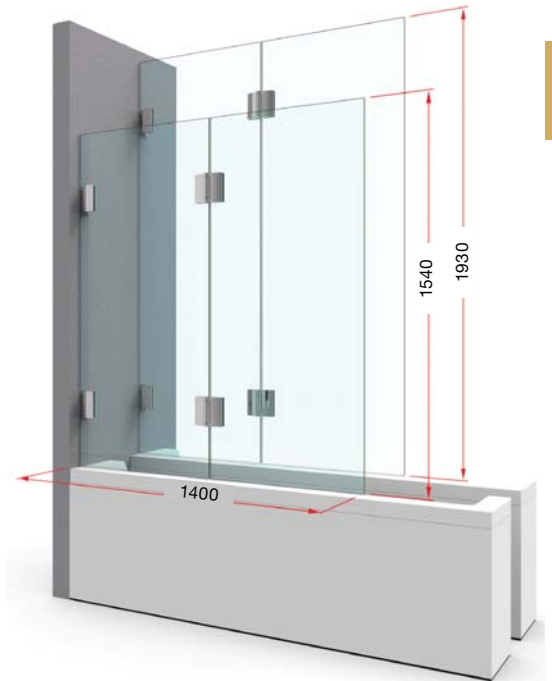
load capacity for system width
1300 mm: 62 kg

corresponds to a door height of 1900 mm with 10 mm glass
corresponds to a door height of 2380 mm with 8 mm glass



load capacity for system width
1400 mm: 54 kg

corresponds to a door height of 1540 mm with 10 mm glass
corresponds to a door height of 1930 mm with 8 mm glass



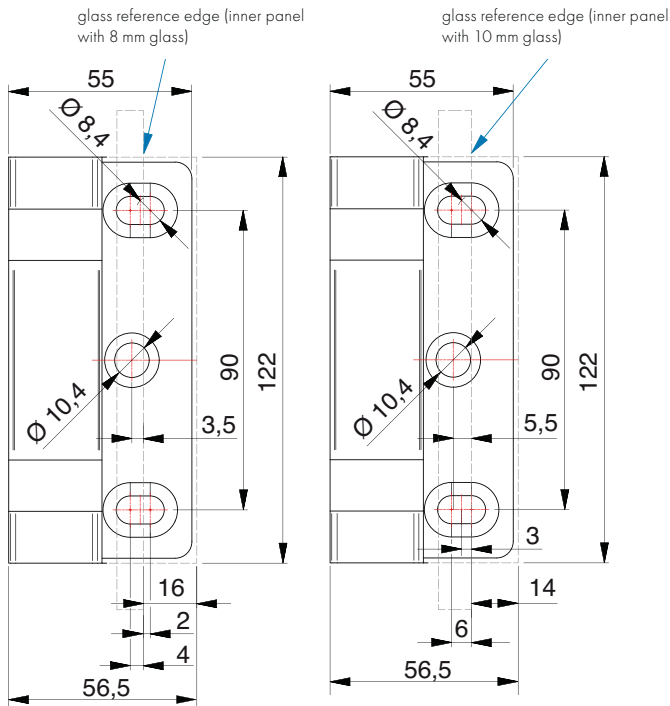
We recommend to install all available striker hinges with sealing profiles to avoid damage to the glass. Please note that the instruction manual can be found on page 382.

- three holes in the glass allow for higher load capacity
- for wall mounting we offer extra long DIN9135 screws.

dimensions wall mounting

8962ZN

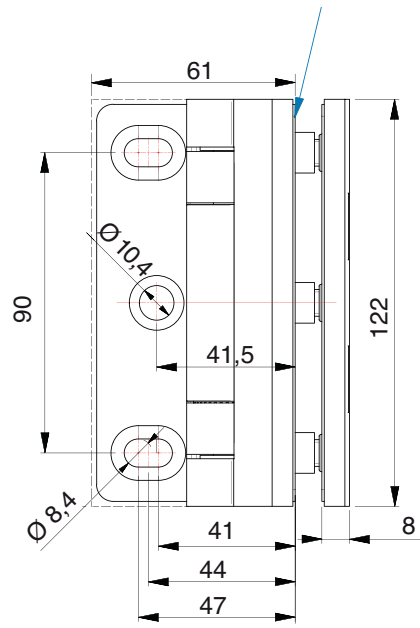
opening outwards



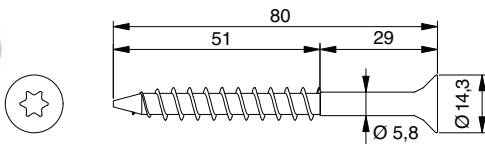
8961ZN

opening outwards/ inwards

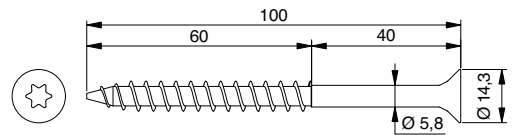
glass reference
 glass edge inner panel - wall mounting inside, with 8/10 mm
 glass edge outer panel - wall mounting outside, with 8/10 mm



accessories - screws
 chipboard screw DIN9135



article no. Z100VA features countersink head, TX40 drive 8x80 A2



article no. Z101VA features countersink head, TX40 drive 8x100

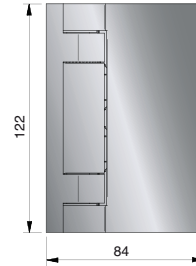
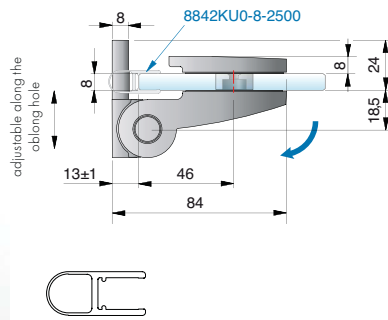
TURA



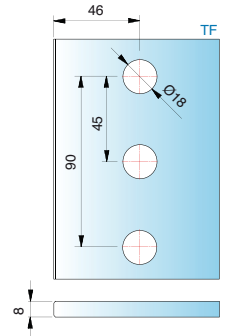
heavy-duty striker door hinge – TURA



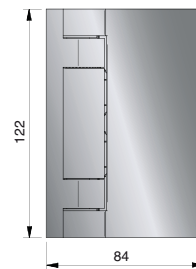
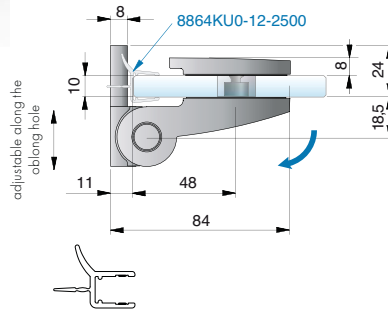
for 8 mm glass



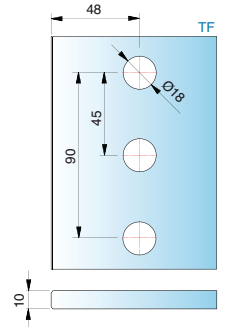
glass processing for 8 mm with sealing profile
8842KU0-8-2500



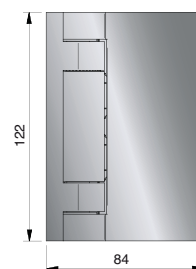
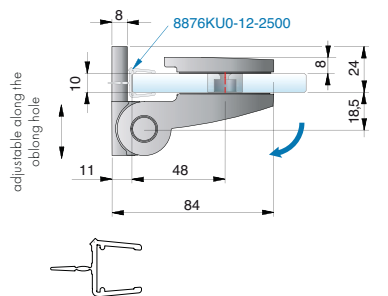
for 10 mm glass



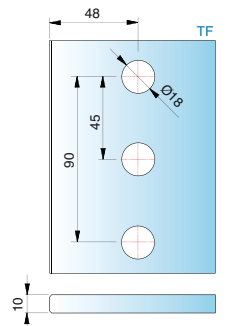
glass processing for 10 mm with sealing profile
8864KU0-12-2500



for 10 mm glass



glass processing for 10 mm with sealing profile
8876KU0-12-2500



article no.	finish	glass thickness	article description	features	pu/pieces
8962ZN5	gloss chrome	8/10/12 mm	TURA heavy-duty striker door hinge	one-sided opening outwards minimum 90°, concealed screws, wall mounting inside with oblong hole, closed position adjustable, seal profile notched in hinge area	1/2
8962ZN1	matt chrome		glass-wall 90°		
8962ZNPVD22	stainless steel optic				

ST = side panel | Tf = door panel | W = wall

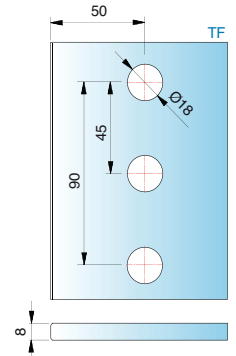
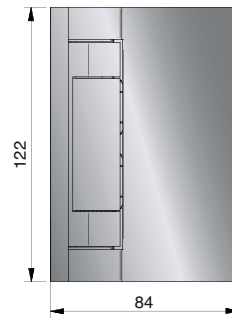
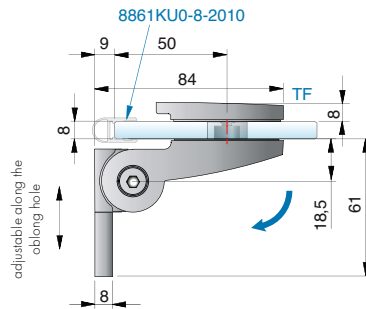
TURA



heavy-duty striker door hinge – TURA

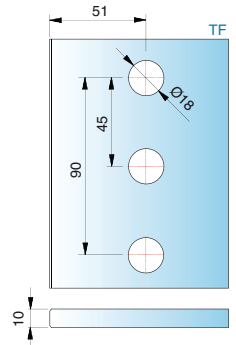
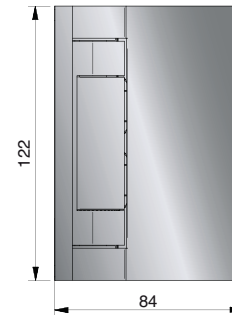
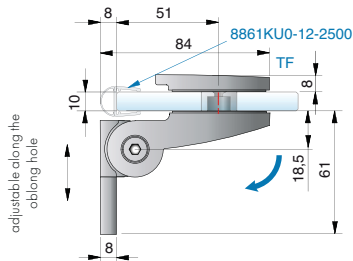
for 8 mm glass

glass processing for 8 mm with
sealing profile 8861KU0-8-2010



for 10 mm glass

glass processing for 10 mm
with sealing profile
8861KU0-12-2500

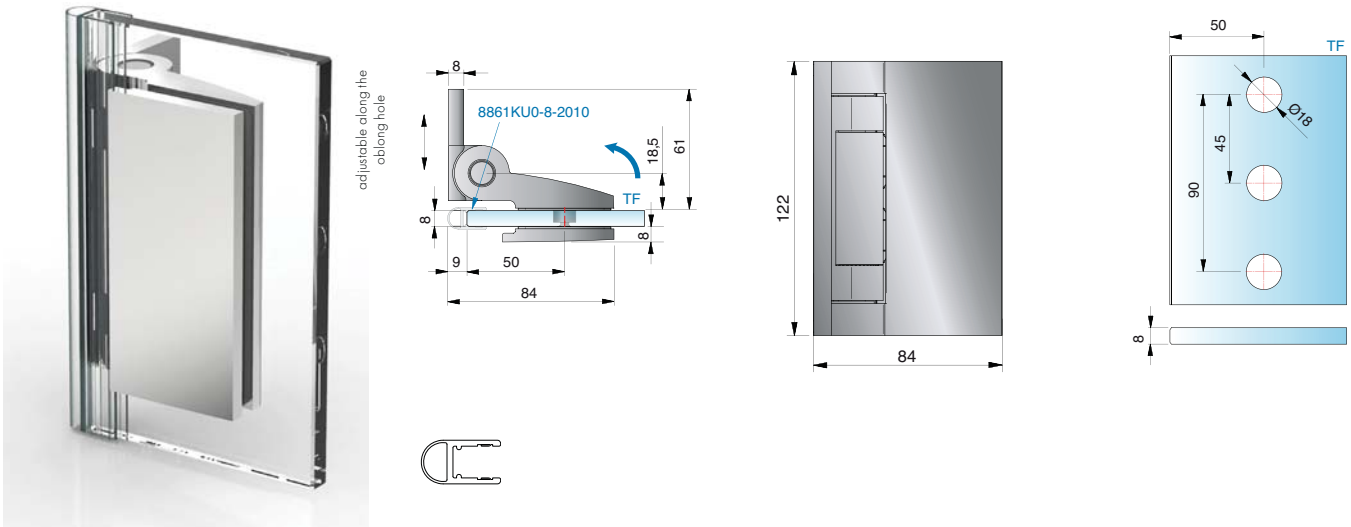


article no.	finish	glass thickness	article description	features	pu/pieces
8961ZN5	gloss chrome	8/10/12 mm	TURA heavy-duty striker door hinge	one-sided opening outwards 90°, concealed screws,	1/2
8961ZN1	matt chrome		glass-wall 90°	wall mounting outside with oblong hole, closed position	
8961ZNPVD22	stainless steel optic			adjustable, seal profile in hinge area continuous	

heavy-duty striker door hinge – TURA

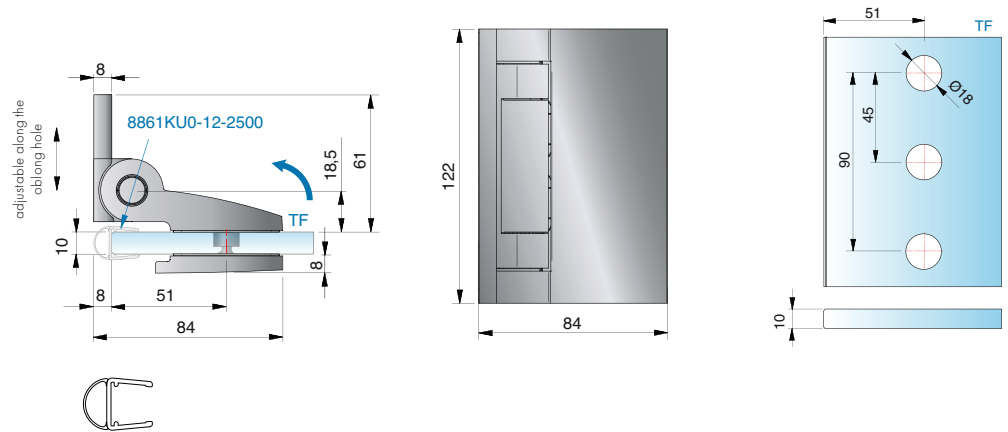
for 8 mm glass

glass processing for 8 mm
with sealing profile
8861KU0-8-2010



for 10 mm glass

glass processing for 10 mm
with sealing profile
8861KU0-12-2500

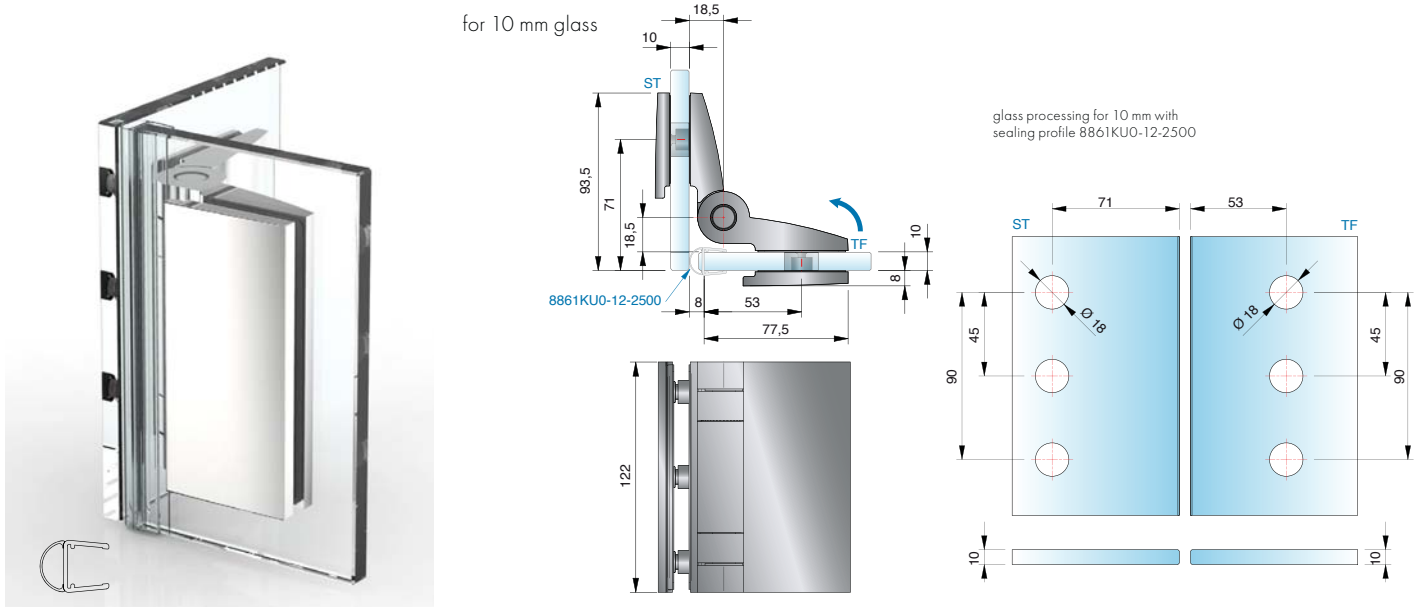
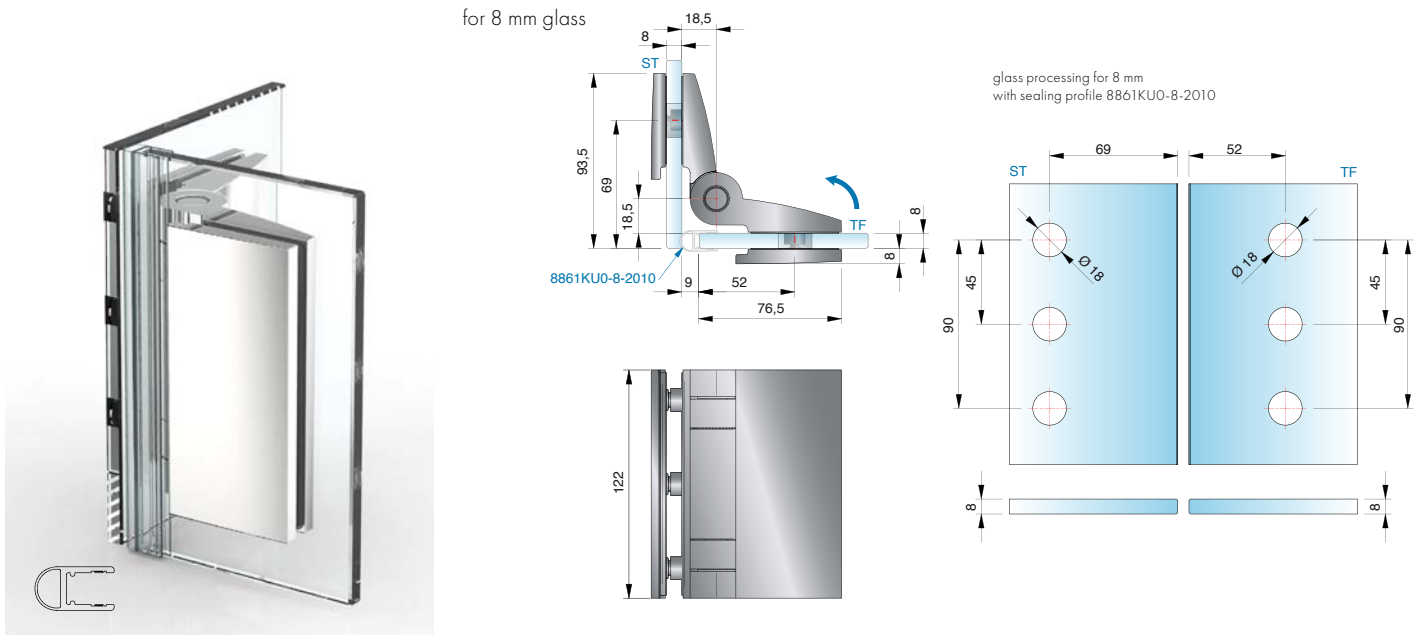


article no.	finish	glass thickness	article description	features	pu/pieces
8961ZN5	glass chrome	8/10/12 mm	TURA heavy-duty striker door hinge	one-sided opening inwards 90°, concealed screws,	1/2
8961ZN1	matt chrome		glass-wall 90°	wall mounting outside with oblong hole, closed position	
8961ZNPVD22	stainless steel optic			adjustable, seal profile in hinge area continuous	

ST = side panel | TF = door panel | W = wall

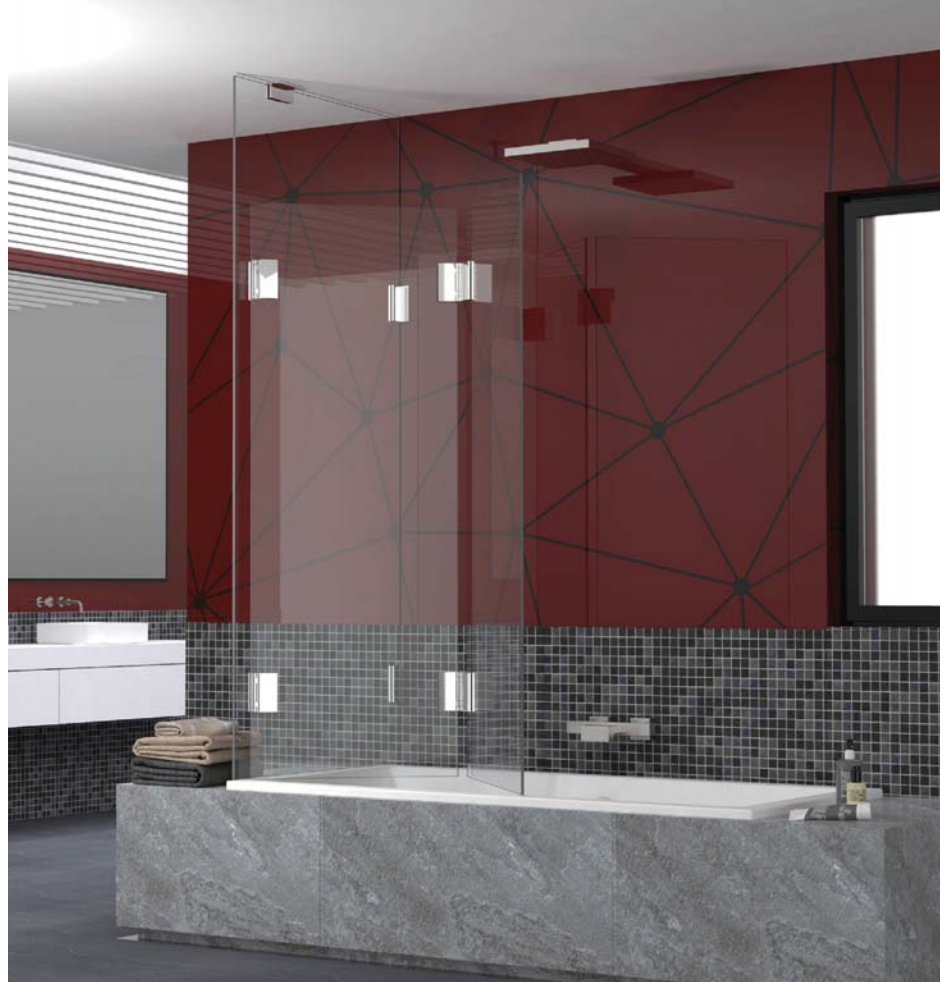
heavy-duty striker door hinge – TURA

TURA



article no.	finish	glass thickness	article description	features	pu/pieces
8960ZN5	gloss chrome	8/10/12 mm	TURA heavy-duty striker door hinge	one-sided opening inwards 90°, concealed screws,	1/2
8960ZN1	matt chrome		glass-glass 90°	closed position adjustable, seal profile in hinge area	
8960ZNPVD22	stainless steel optic			continuous	

ST = side panel | TF = door panel | W = wall



General note

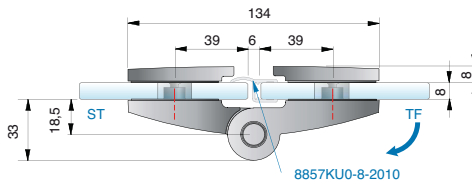
- due to the system, a superficial matting may occur in the area of the rollers on the visible surface as a result of micro-scratches.

heavy-duty striker door hinge – TURA

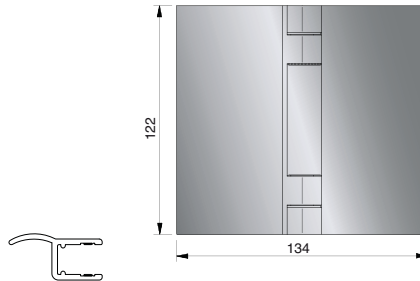
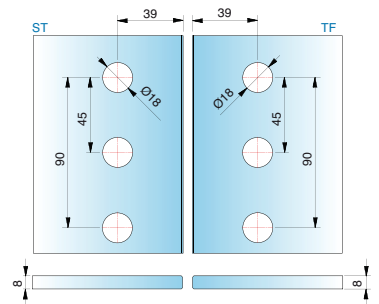
TURA



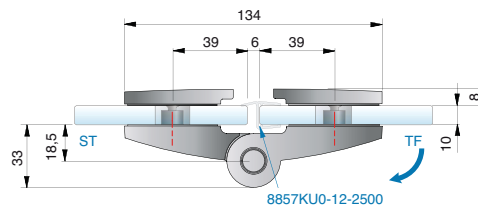
for 8 mm glass



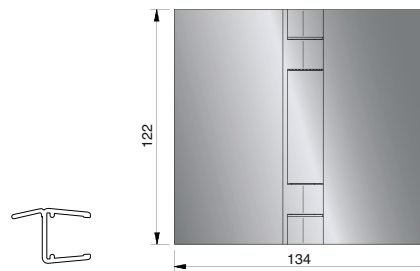
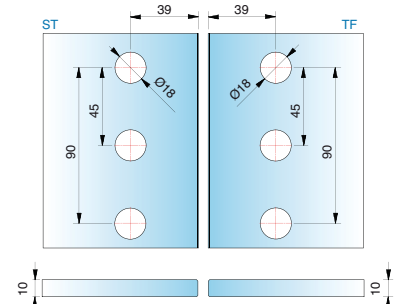
glass processing for 8 mm with sealing profile 8857KU0-8-2010



for 10 mm glass



glass processing for 10 mm with sealing profile 8857KU0-12-2500

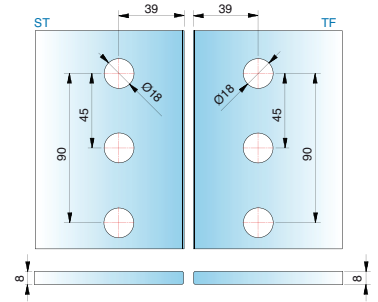
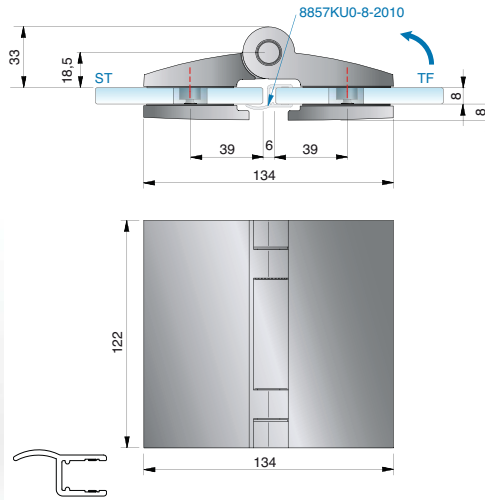


article no.	finish	glass thickness	article description	features	pu/pieces
8960ZN5	gloss chrome	8/10/12 mm	TURA heavy-duty striker door hinge	one-sided opening out or inwards 180°, concealed screws, 1/2	
8960ZN1	matt chrome		glass-glass 180°	closed position adjustable, seal profile in hinge area	
8960ZNPVD22	stainless steel optic			continuous	

heavy-duty striker door hinge – TURA

for 8 mm glass

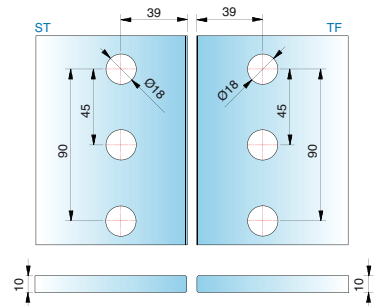
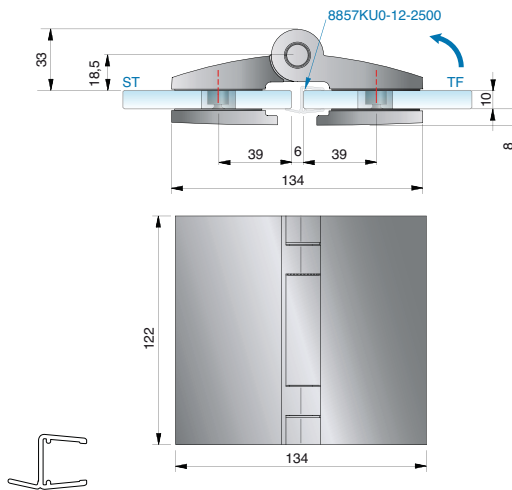
glass processing for 8 mm with sealing profile 8857KU0-8-2010



TURA

for 10 mm glass

glass processing for 10 mm with sealing profile 8857KU0-12-2500

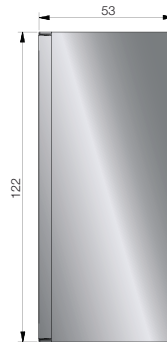
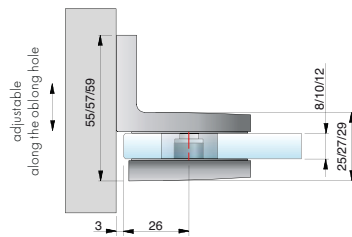


article no.	finish	glass thickness	article description	features	pu/pieces
8960ZN5	glass chrome	8/10/12 mm	TURA heavy-duty striker door hinge glass-glass 180°	one-sided opening out or inwards 180°, concealed screws, 1/2 closed position adjustable, seal profile in hinge area continuous	
8960ZN1	mat chrome				
8960ZNPVD22	stainless steel optic				

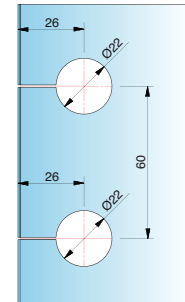
ST = side panel | TF = door panel | W = wall



angle bracket – TURA

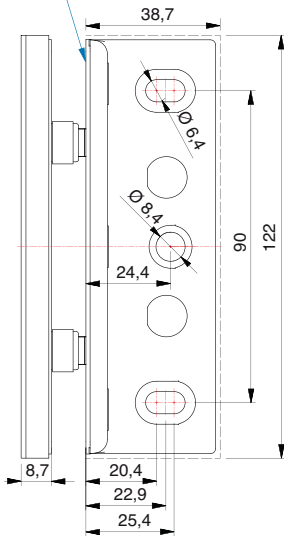


glass processing for 8/10/12 mm



article no.	finish	glass thickness	article description	features	pu/pieces
8968ZN5	glass chrome	8/10/12 mm	angle bracket TURA	concealed screws, wall mount	1/2
8968ZN1	matte chrome		glass-wall 90°	with oblong hole adjustment	
8968ZNPVD22	stainless steel optic				

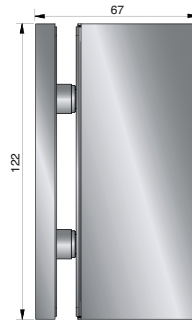
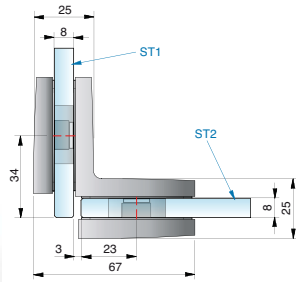
glass reference edge (inner panel with 8/10/12 mm glass)



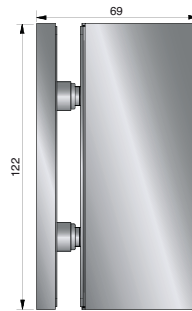
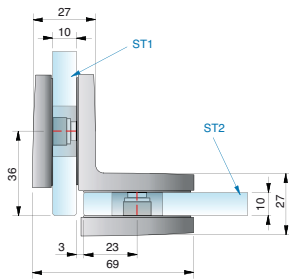
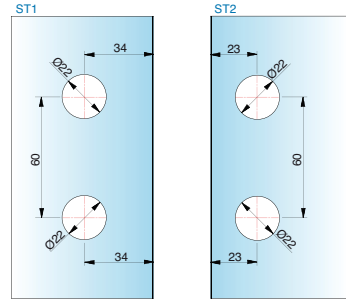
note: suitable fixing screws part no. Z092VA see page 377



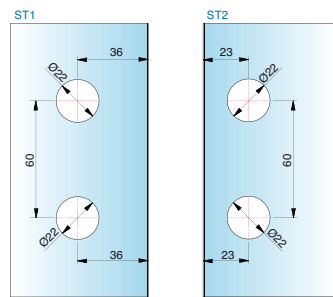
angle bracket – TURA



glass processing for 8 mm



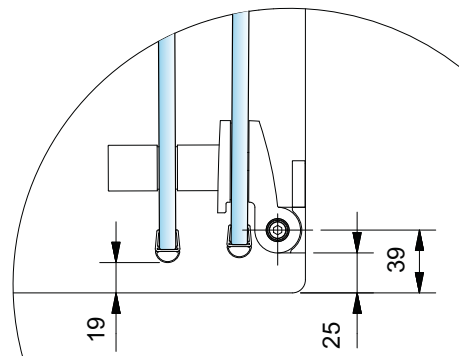
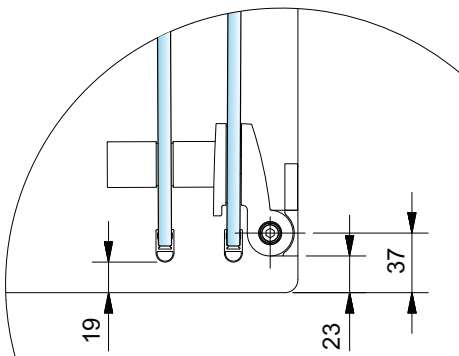
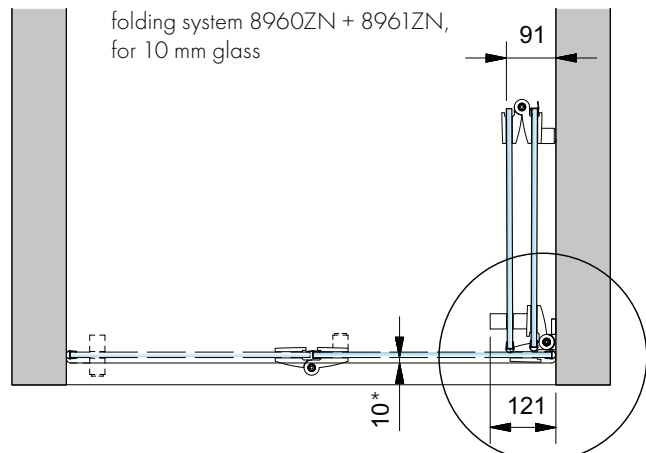
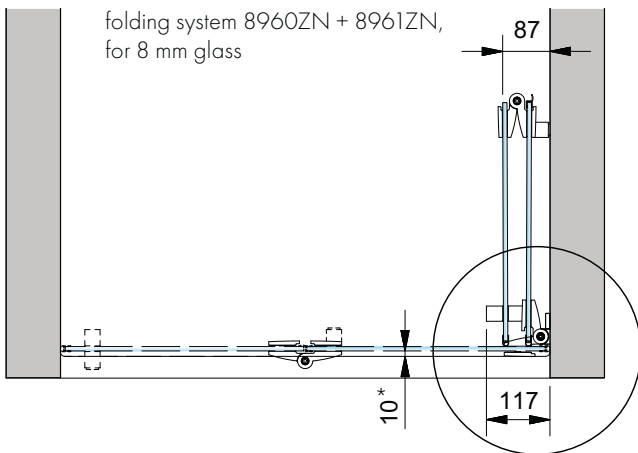
glass processing for 10 mm



article no.	finish	glass thickness	article description	features	pu/pieces
8969ZN5	gloss chrome	8/10/12 mm	angle bracket TURA	concealed screws	1/2
8969ZN1	matte chrome		glass-glass 90°		
8969ZNPVD22	stainless steel optic				

dimensions of folding system – TURA

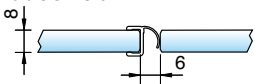
dimensions of folding system – glass-wall



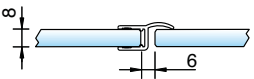
* tray offset dimension

■ we recommend for the folding systems the sealing profile

8865KU0



or 8857KU0.



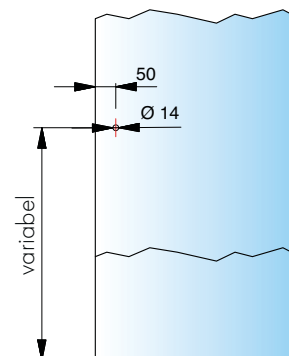
drill hole spacing for:



8273ZN

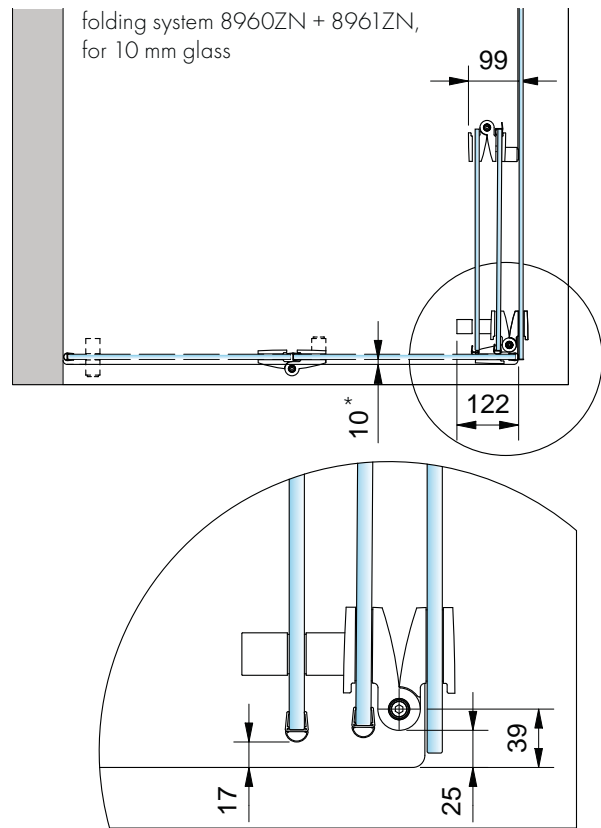
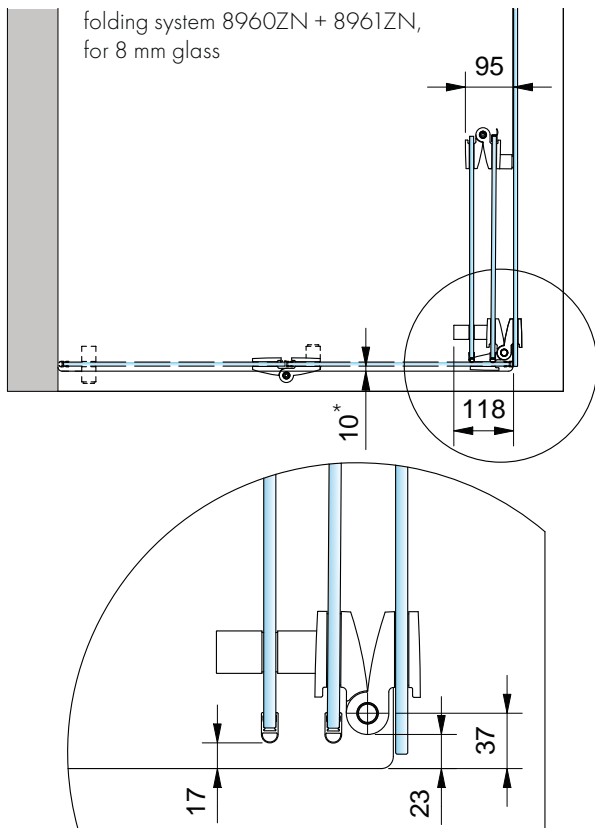


8271ZN



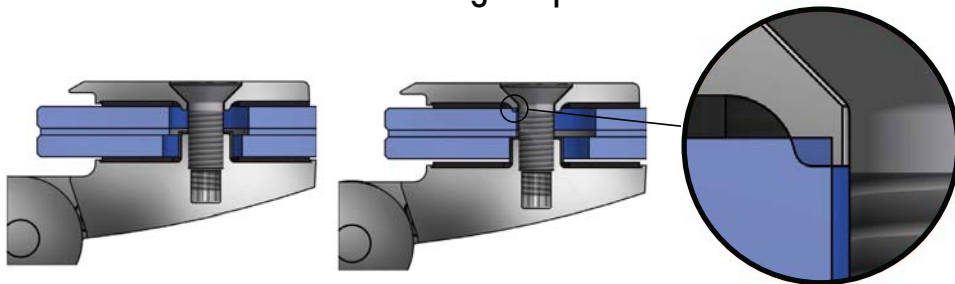
■ for more information about the knobs 8271 and 8273 see page 301.

dimensions of folding system – glass-glass



* tray offset dimension

installation instructions for the use of laminated glass panels



- due to the possible offset with laminated safety glass panels, it is essential to ensure that the counter plate is mounted centrally in the glass hole. Note: Incorrect installation can lead to glass breakage!

sauna heavy-duty striker door hinge – TURA SN



corresponding angle brackets

for TURA SN can be found on page 200.

TURA SN

MADE
IN
GERMANY

190



Sales
Finland
Kuninkaanmäentie 120B
01260 Vantaa
+358 40 9008520
info@johnberger.fi
www.johnberger.fi

Estonia
Laki 9A
10621 Tallinn
+372 +372 654 6604
info@johnberger.ee
www.johnberger.ee