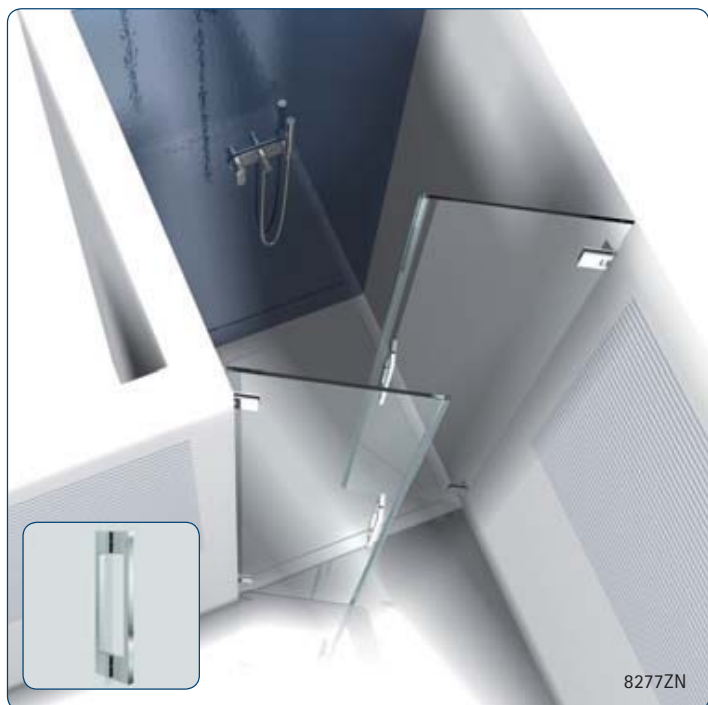




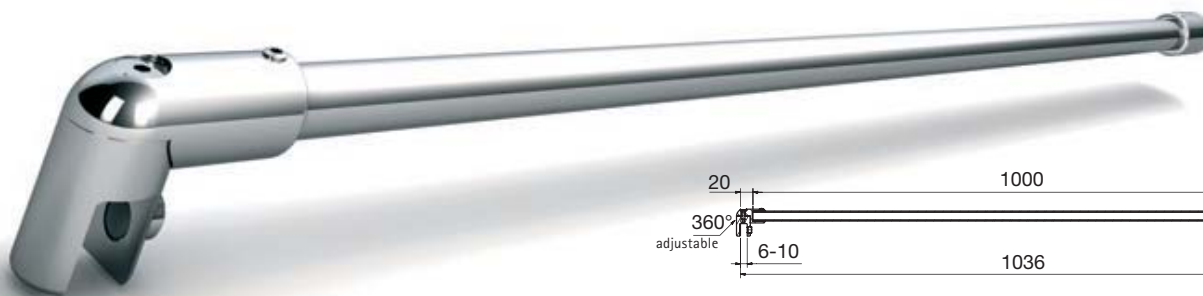
accessories - door handle



accessories – supporting bars



length 1000 mm, cuttable to size

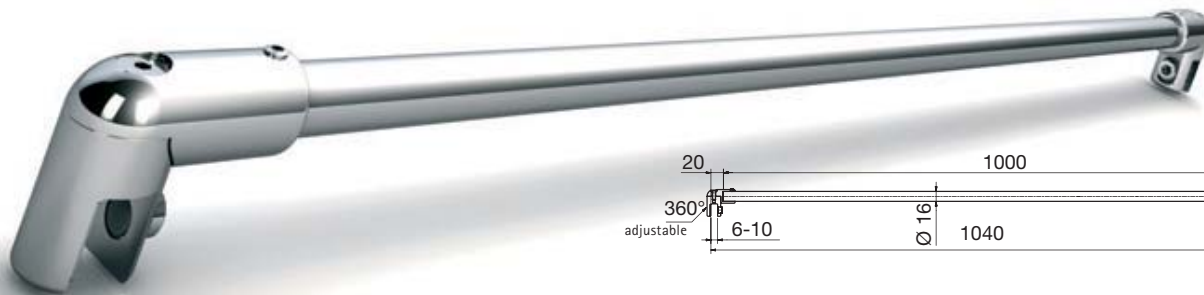


article no.	finish	glass thickness	article name	pu/pieces
8444MS7-1000	bright chrome finish tube with special pickled aluminum/ polished and anodized	6-10 mm	supporting bar glass-wall	1/1

DESIGNED
IN
GERMANY



length 1000 mm, cuttable to size



article no.	finish	glass thickness	article name	pu/pieces
8445MS7-1000	bright chrome finish tube with special pickled aluminum/ polished and anodized	6-10 mm	supporting bar glass-glass	1/1

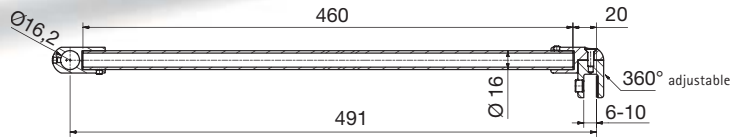
DESIGNED
IN
GERMANY





accessories – supporting bars

length 460 mm, cuttable to size

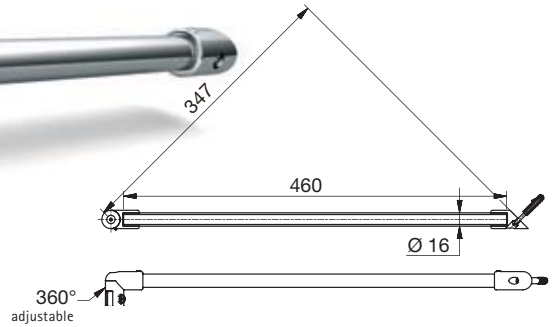


article no.	finish	glass thickness	article name	pu/pieces
8447MS7-460	bright chrome finish tube with special pickled aluminum/ polished and anodized	6-10 mm	supporting bar glass-T-shaped adapter	1/1

DESIGNED
IN
GERMANY



length 460 mm, cuttable to size



article no.	finish	glass thickness	article name	pu/pieces
8446MS7-460	bright chrome finish tube with special pickled aluminum/ polished and anodized	6-10 mm	supporting bar glass-wall 45°	1/1

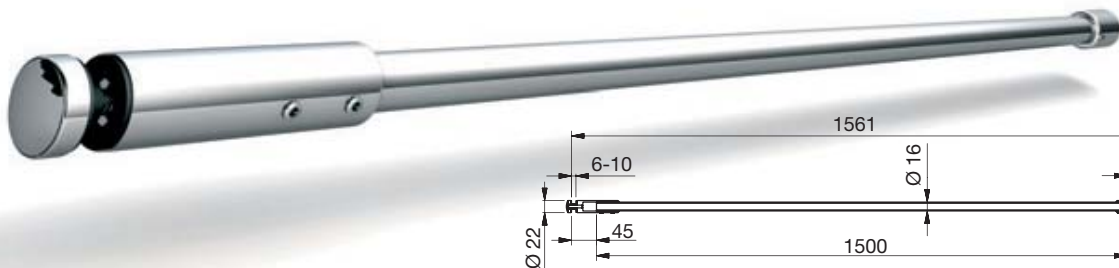
DESIGNED
IN
GERMANY



accessories – supporting bars

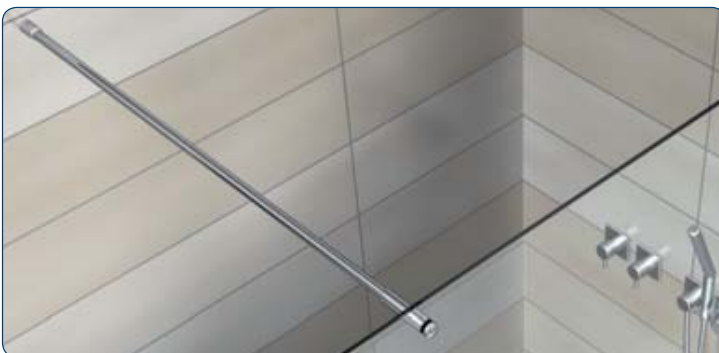


length 1500 mm, cuttable to size fixation with through borehole at the glass



article no.	finish	glass thickness	article name	pu/pieces
8448MS7-1500	bright chrome finish tube with special pickled aluminum/ polished and anodized	6-10 mm	supporting bar glass-wall	1/1

DESIGNED
IN
GERMANY



tube length cuttable to size



article no.	finish	length	article name	pu/pieces
8444-1E6EV5-460	tube with special	460 mm	supporting bar, tube	1/1
8444-1E6EV5-1000	pickled aluminum/	1000 mm		
8444-1E6EV5-1500	polished and anodized	1500 mm		
8444-1E6EV5-2000		2000 mm		

DESIGNED
IN
GERMANY





accessories – supporting bars

for tube Ø 16 mm

article no.	finish	glass thickness	article name	pu/pieces
8444MS7-W	bright chrome finish	-	wall adapter 90° for supporting bar	1/1

DESIGNED IN GERMANY

for tube Ø 16 mm

article no.	finish	glass thickness	article name	pu/pieces
8446MS7-W45	bright chrome finish	-	wall adapter 45° for supporting bar	1/1

DESIGNED IN GERMANY

for tube Ø 16 mm

article no.	finish	glass thickness	article name	pu/pieces
8447MS7-T	bright chrome finish	6-10 mm	T-adapter for supporting bar	1/1

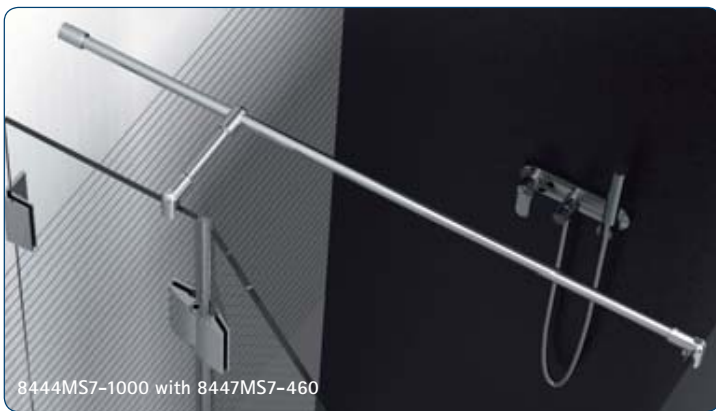
DESIGNED IN GERMANY

for tube Ø 16 mm

article no.	finish	glass thickness	article name	pu/pieces
8444MS7-G	bright chrome finish	6-10 mm	glass adapter for supporting bar	1/1

DESIGNED IN GERMANY

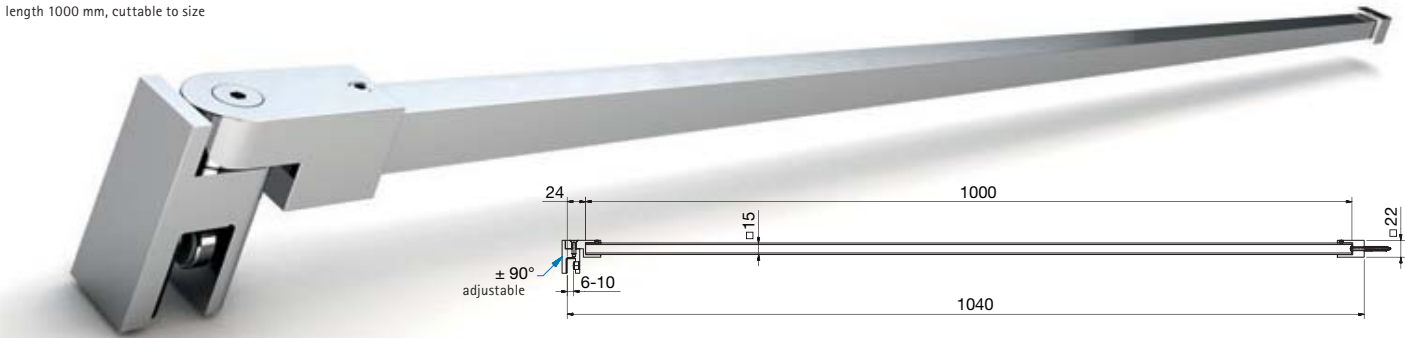
Every adapter is compatible with 8444MS7, 8445MS7, 8446MS7, 8447MS7, 8448MS7, 8444-1E6EV5



accessories – supporting bars



length 1000 mm, cuttable to size

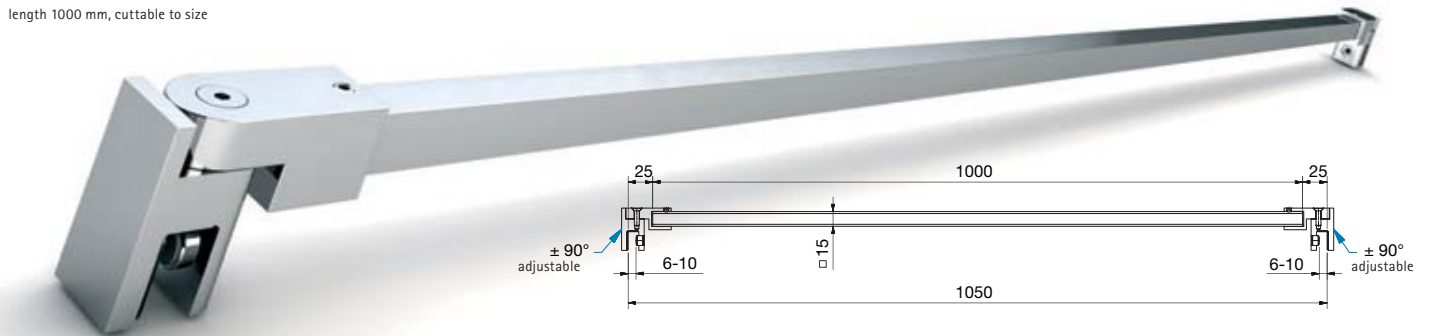


article no.	finish	glass thickness	article name	pu/pieces
8494MS7-1000	bright chrome finish tube with special pickled aluminum/ polished and anodized	6-10 mm	supporting bar glass-wall	1/1

DESIGNED
IN
GERMANY



length 1000 mm, cuttable to size



article no.	finish	glass thickness	article name	pu/pieces
8495MS7-1000	bright chrome finish tube with special pickled aluminum/ polished and anodized	6-10 mm	supporting bar glass-glass	1/1

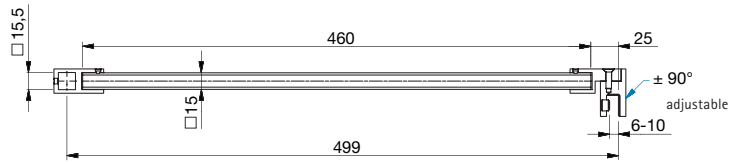
DESIGNED
IN
GERMANY





accessories – supporting bars

length 460 mm, cuttable to size

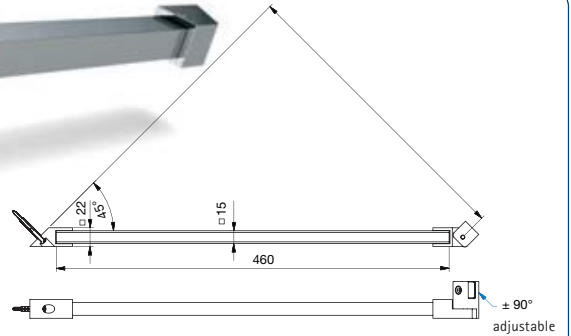


article no.	finish	glass thickness	article name	pu/pieces
8497MS7-460	bright chrome finish tube with special pickled aluminum/ polished and anodized	6-10 mm	supporting bar glass-T-shaped adapter	1/1

DESIGNED
IN
GERMANY

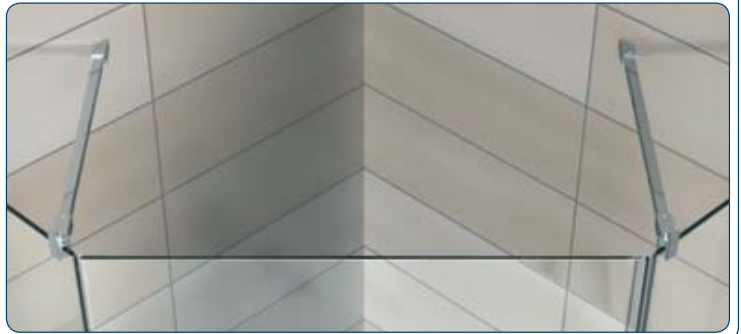


length 460 mm, cuttable to size



article no.	finish	glass thickness	article name	pu/pieces
8496MS7-460	bright chrome finish tube with special pickled aluminum/ polished and anodized	6-10 mm	supporting bar glass-wall 45°	1/1

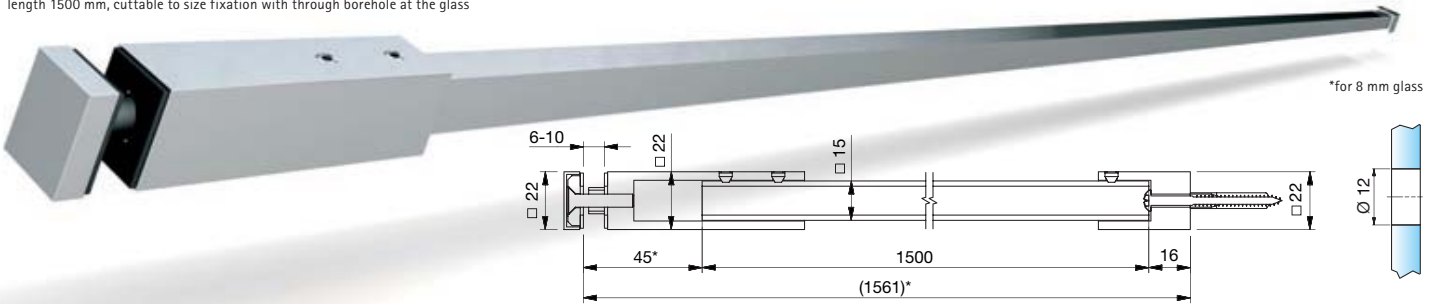
DESIGNED
IN
GERMANY



accessories – supporting bars



length 1500 mm, cuttable to size fixation with through borehole at the glass

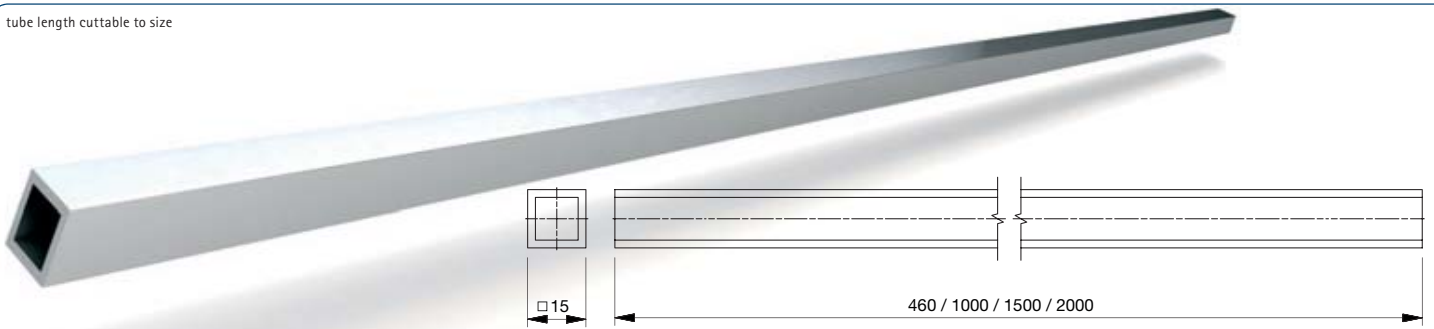


article no.	finish	glass thickness	article name	pu/pieces
8498MS7-1500	bright chrome finish tube with special pickled aluminum/ polished and anodized	6-10 mm	supporting bar glass-wall	1/1

DESIGNED IN GERMANY



tube length cuttable to size



article no.	finish	length	article name	pu/pieces
8688-5E6EV5-460	tube with special pickled aluminum/ polished and anodized	460 mm	supporting bar,	1/1
8688-5E6EV5-1000		1000 mm	tube	
8688-5E6EV5-1500		1500 mm		
8688-5E6EV5-2000		2000 mm		

DESIGNED IN GERMANY

article no.	finish	length	article name	pu/pieces
8688-5MS7-1000	bright chrome finish	1000 mm	supporting bar, tube	1/1



Attention: Delivery date on request!





accessories – supporting bars

for tube □ 15 mm

article no.	finish	glass thickness	article name	pu/pieces
8494MS7-W	bright chrome finish	-	wall adapter 90° for supporting bar	1/1

DESIGNED IN GERMANY

for tube □ 15 mm

article no.	finish	glass thickness	article name	pu/pieces
8496MS7-W45	bright chrome finish	-	wall adapter 45° for supporting bar	1/1

DESIGNED IN GERMANY

for tube □ 15 mm

article no.	finish	glass thickness	article name	pu/pieces
8497MS7-T	bright chrome finish	6-10 mm	T-adapter for supporting bar	1/1

DESIGNED IN GERMANY

for tube □ 15 mm

article no.	finish	glass thickness	article name	pu/pieces
8494MS7-G	bright chrome finish	6-10 mm	glass adapter for supporting bar	1/1

DESIGNED IN GERMANY

Every adapter is compatible with:
8494MS7, 8495MS7, 8496MS7, 8497MS7, 8498MS7, 8688-1E6EV5

for tube □ 15 mm

article no.	finish	glass thickness	article name	pu/pieces
8498MS7-G	bright chrome finish	6-10 mm	glass adapter for supporting bar	1/1

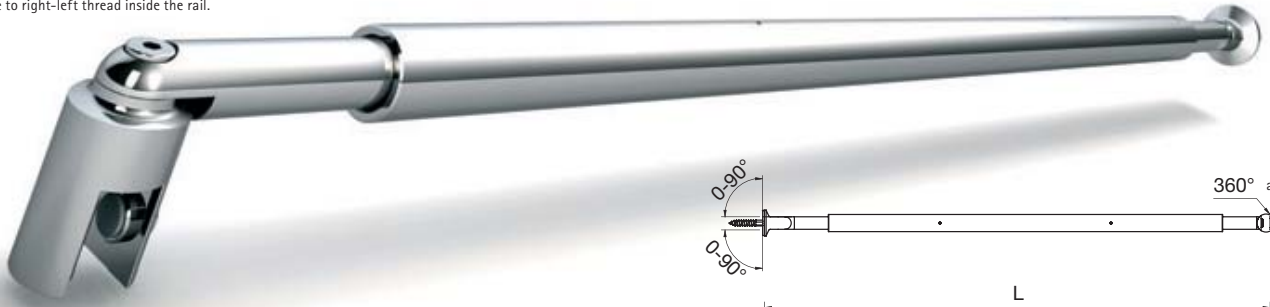
DESIGNED IN GERMANY



accessories – supporting bars



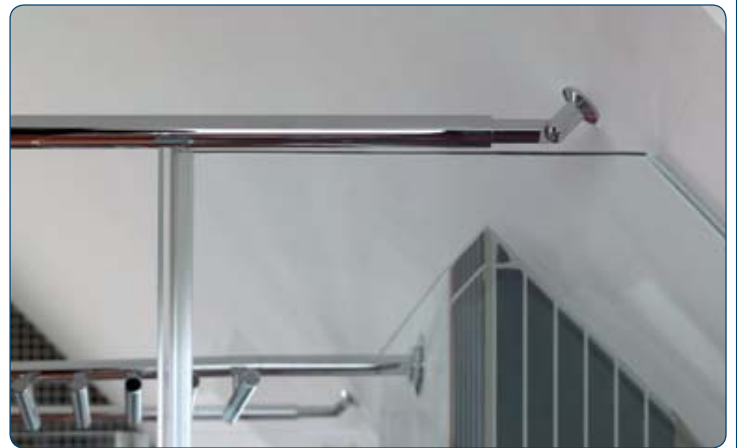
Glass thickness: 8-10 mm
with adjustable wall connector for droops.
Adjustable due to right-left thread inside the rail.



article no.	finish	article name	features (L)	pu/pieces
8432MS_*-395	see "article -no.-end"	supporting bar glass-wall	adjustable from 365-425 mm	1/1
8432MS_*-590	see "article -no.-end"	supporting bar glass-wall	adjustable from 510-670 mm	1/1
8432MS_*-730	see "article -no.-end"	supporting bar glass-wall	adjustable from 650-810 mm	1/1
8432MS_*-860	see "article -no.-end"	supporting bar glass-wall	adjustable from 780-940 mm	1/1
8432MS_*-990	see "article -no.-end"	supporting bar glass-wall	adjustable from 910-1070 mm	1/1
8432MS_*-1050	see "article -no.-end"	supporting bar glass-wall	adjustable from 970-1130 mm**	1/1
8432MS_*-1190	see "article -no.-end"	supporting bar glass-wall	adjustable from 1110-1270 mm**	1/1
8432MS_*-1330	see "article -no.-end"	supporting bar glass-wall	adjustable from 1250-1410 mm**	1/1
8432MS_*-1460	see "article -no.-end"	supporting bar glass-wall	adjustable from 1380-1540 mm**	1/1
8432MS_*-1590	see "article -no.-end"	supporting bar glass-wall	adjustable from 1510-1670 mm**	1/1
8432MS_*-1720	see "article -no.-end"	supporting bar glass-wall	adjustable from 1640-1800 mm**	1/1
8432MS_*-1850	see "article -no.-end"	supporting bar glass-wall	adjustable from 1770-1930 mm**	1/1

other length upon request!

MADE
IN
GERMANY



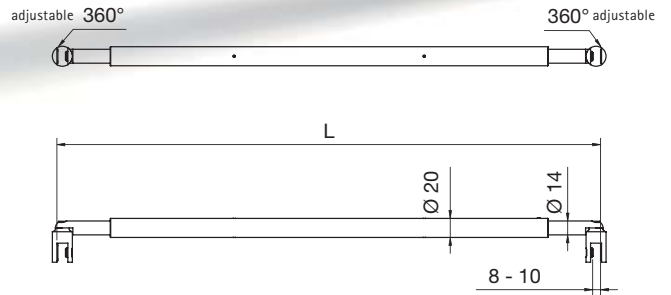
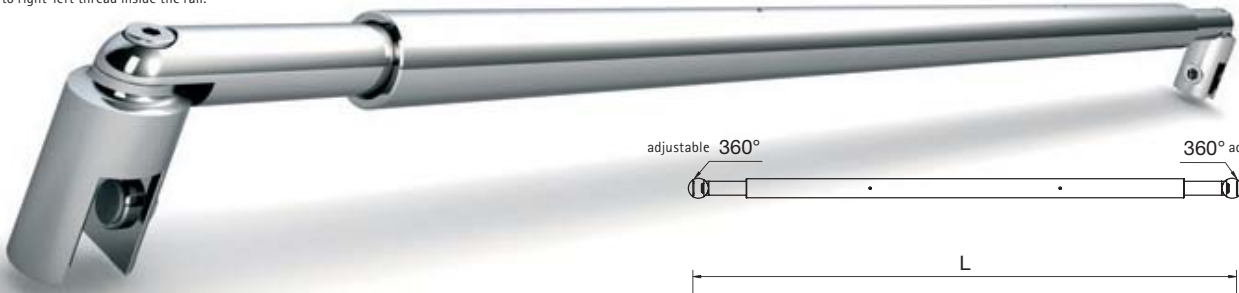
*article no. end: MS2 bright chrome finish; MS10 matt chrome finish; MSPVD22 stainless steel finish- PVD-coated
**Tube subdivided (visible parting line)





accessories – supporting bars

Glass thickness: 8-10 mm
with adjustable wall connector for droops.
Adjustable due to right-left thread inside the rail.



article no.	finish	article name	features (L)	pu/pieces
8434MS_*-375	see "article -no.-end"	supporting bar glass-glass	adjustable from 345-405 mm	1/1
8434MS_*-570	see "article -no.-end"	supporting bar glass-glass	adjustable from 490-650 mm	1/1
8434MS_*-710	see "article -no.-end"	supporting bar glass-glass	adjustable from 630-790 mm	1/1
8434MS_*-840	see "article -no.-end"	supporting bar glass-glass	adjustable from 760-920 mm	1/1
8434MS_*-970	see "article -no.-end"	supporting bar glass-glass	adjustable from 890-1050 mm	1/1
8434MS_*-1030	see "article -no.-end"	supporting bar glass-glass	adjustable from 950-1110 mm**	1/1
8434MS_*-1170	see "article -no.-end"	supporting bar glass-glass	adjustable from 1090-1250 mm**	1/1
8434MS_*-1310	see "article -no.-end"	supporting bar glass-glass	adjustable from 1230-1390 mm**	1/1
8434MS_*-1440	see "article -no.-end"	supporting bar glass-glass	adjustable from 1360-1520 mm**	1/1
8434MS_*-1570	see "article -no.-end"	supporting bar glass-glass	adjustable from 1490-1650 mm**	1/1
8434MS_*-1700	see "article -no.-end"	supporting bar glass-glass	adjustable from 1620-1780 mm**	1/1
8434MS_*-1830	see "article -no.-end"	supporting bar glass-glass	adjustable from 1750-1910 mm**	1/1



MADE
IN
GERMANY

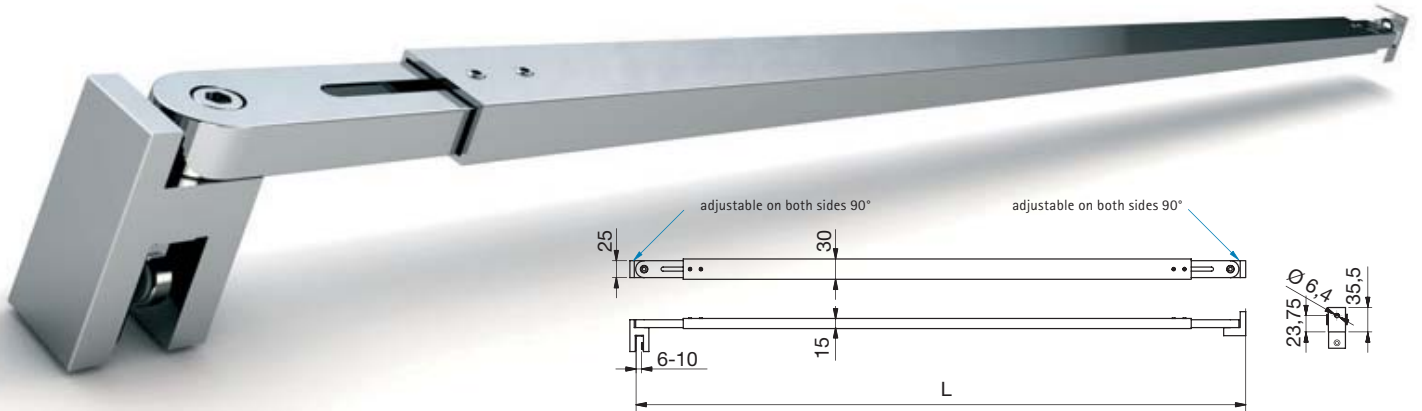
other length upon request!

*article no. end: MSZ bright chrome finish; MS10 matt chrome finish; MSPVD22 stainless steel finish- PVD-coated
**Tube subdivided (visible parting line)

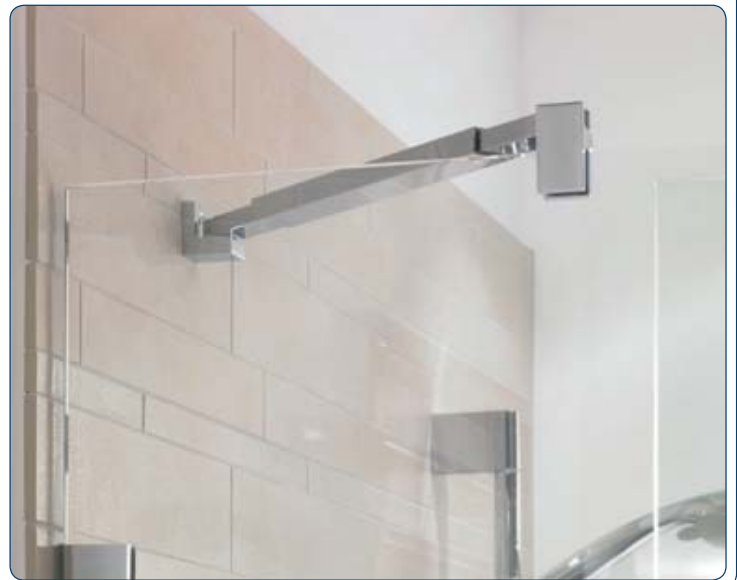


accessories – supporting bars

glass thickness: 8-10 mm



article no.	finish	article name	features (L)	pu/pieces
8474MS_*-380	see "article -no.-end"	supporting bar glass-wall	adjustable from 300-460 mm	1/1
8474MS_*-510	see "article -no.-end"	supporting bar glass-wall	adjustable from 430-590 mm	1/1
8474MS_*-640	see "article -no.-end"	supporting bar glass-wall	adjustable from 560-720 mm	1/1
8474MS_*-770	see "article -no.-end"	supporting bar glass-wall	adjustable from 690-850 mm	1/1
8474MS_*-900	see "article -no.-end"	supporting bar glass-wall	adjustable from 820-980 mm	1/1
8474MS_*-1030	see "article -no.-end"	supporting bar glass-wall	adjustable from 950-1110 mm	1/1
8474MS_*-1160	see "article -no.-end"	supporting bar glass-wall	adjustable from 1080-1240 mm	1/1
8474MS_*-1260	see "article -no.-end"	Supporting bar Glass-wall	adjustable from 1180-1340 mm	1/1
8474MS_*-1390	see "article -no.-end"	Supporting bar Glass-wall	adjustable from 1310-1470 mm	1/1
8474MS_*-1520	see "article -no.-end"	Supporting bar Glass-wall	adjustable from 1440-1600 mm	1/1
8474MS_*-1650	see "article -no.-end"	Supporting bar Glass-wall	adjustable from 1570-1730 mm	1/1
8474MS_*-1780	see "article -no.-end"	Supporting bar Glass-wall	adjustable from 1700-1860 mm	1/1
8474MS_*-1910	see "article -no.-end"	Supporting bar Glass-wall	adjustable from 1830-1990 mm	1/1



other length upon request!

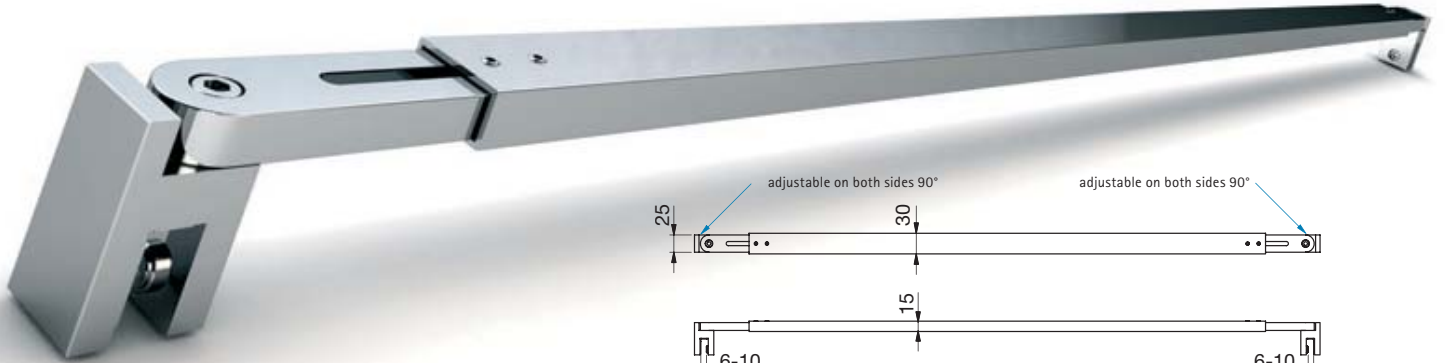
DESIGNED
IN
GERMANY

*article no. end: MSZ bright chrome finish; MS10 matt chrome finish; MSPVD22 stainless steel finish- PVD-coated



accessories – supporting bars

glass thickness: 8–10 mm



article no.	finish	article name	features (L)	pu/pieces
8475MS_*-370	see "article -no.-end"	supporting bar glass-glass	adjustable from 290–450 mm	1/1
8475MS_*-500	see "article -no.-end"	supporting bar glass-glass	adjustable from 420–580 mm	1/1
8475MS_*-630	see "article -no.-end"	supporting bar glass-glass	adjustable from 550–710 mm	1/1
8475MS_*-760	see "article -no.-end"	supporting bar glass-glass	adjustable from 680–840 mm	1/1
8475MS_*-890	see "article -no.-end"	supporting bar glass-glass	adjustable from 810–970 mm	1/1
8475MS_*-1020	see "article -no.-end"	supporting bar glass-glass	adjustable from 940–1100 mm	1/1
8475MS_*-1150	see "article -no.-end"	supporting bar glass-glass	adjustable from 1070–1230 mm	1/1
8475MS_*-1250	see "article -no.-end"	supporting bar glass-glass	adjustable from 1170–1330 mm	1/1
8475MS_*-1380	see "article -no.-end"	supporting bar glass-glass	adjustable from 1300–1460 mm	1/1
8475MS_*-1510	see "article -no.-end"	supporting bar glass-glass	adjustable from 1430–1590 mm	1/1
8475MS_*-1640	see "article -no.-end"	supporting bar glass-glass	adjustable from 1560–1720 mm	1/1
8475MS_*-1770	see "article -no.-end"	supporting bar glass-glass	adjustable from 1690–1850 mm	1/1
8475MS_*-1900	see "article -no.-end"	supporting bar glass-glass	adjustable from 1820–1980 mm	1/1

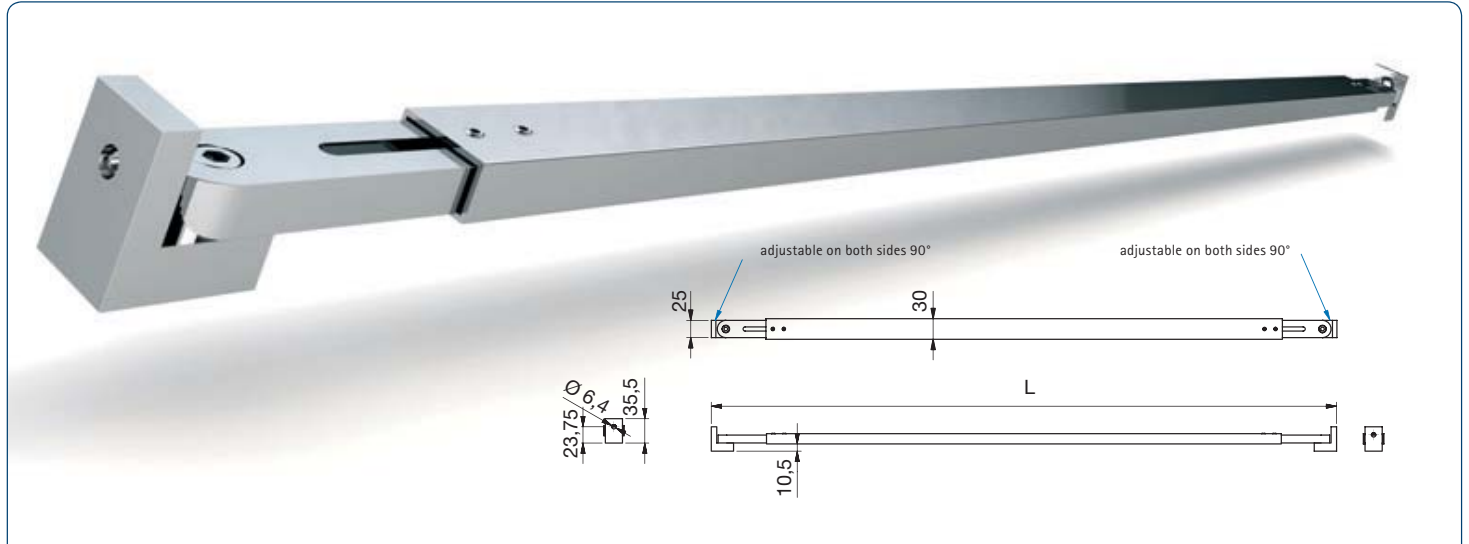


other length upon request!

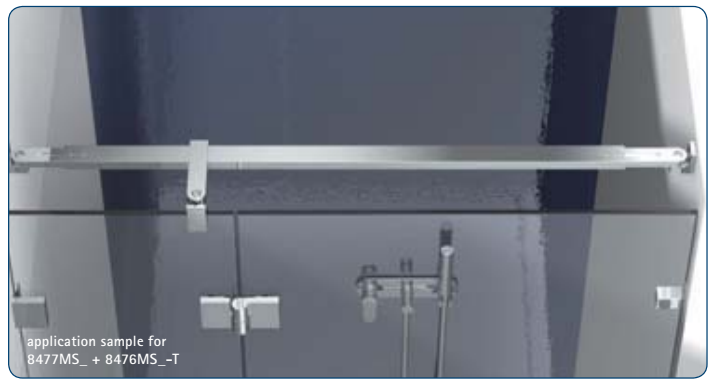
DESIGNED
IN
GERMANY



accessories – supporting bars



article no.	finish	article name	features (L)	pu/pieces
8477MS_*-910	see "article -no.-end"	supporting bar wall-wall	adjustable from 830-990 mm	1/1
8477MS_*-1040	see "article -no.-end"	supporting bar wall-wall	adjustable from 960-1120 mm	1/1
8477MS_*-1170	see "article -no.-end"	supporting bar wall-wall	adjustable from 1090-1250 mm	1/1
8477MS_*-1270	see "article -no.-end"	supporting bar wall-wall	adjustable from 1190-1350 mm	1/1
8477MS_*-1400	see "article -no.-end"	supporting bar wall-wall	adjustable from 1320-1480 mm	1/1
8477MS_*-1530	see "article -no.-end"	supporting bar wall-wall	adjustable from 1450-1610 mm	1/1
8477MS_*-1660	see "article -no.-end"	supporting bar wall-wall	adjustable from 1580-1740 mm	1/1
8477MS_*-1790	see "article -no.-end"	supporting bar wall-wall	adjustable from 1710-1870 mm	1/1
8477MS_*-1920	see "article -no.-end"	supporting bar wall-wall	adjustable from 1840-2000 mm	1/1



other length upon request!


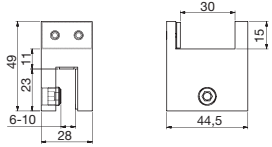
DESIGNED
IN
GERMANY

*article no. end: MSZ bright chrome finish; MS10 matt chrome finish; MSPVD22 stainless steel finish- PVD-coated




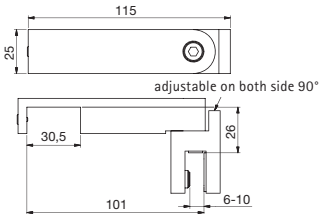


accessories – supporting bars

article no.	finish	glass thckn.	article name	pu/pieces
8473MS7	bright chrome finish	6-10 mm	glass plate support	1/1
8473MS10	matt chrome finish		for 8474MS, 8475MS	
8473MSPVD22	stainless steel finish*		and 8477MS	

■ DESIGNED
■ IN
■ GERMANY

article no.	finish	glass thckn.	article name	pu/pieces
8476MS7-T	bright chrome finish	6-10 mm	T-adapter for	1/1
8476MS10-T	matt chrome finish		8474MS, 8475MS	
8476MSPVD22-T	stainless steel finish*		and 8477MS	

■ DESIGNED
■ IN
■ GERMANY

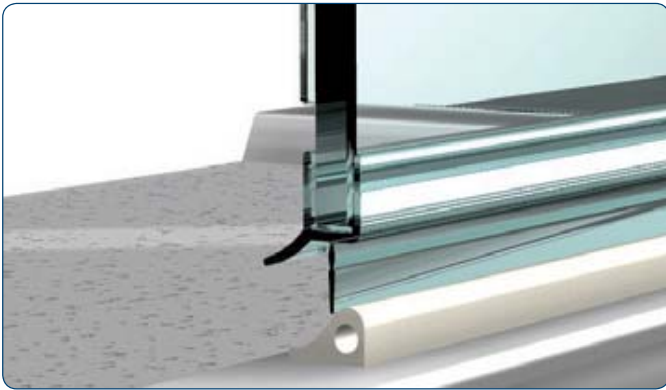


*PVD-Coated

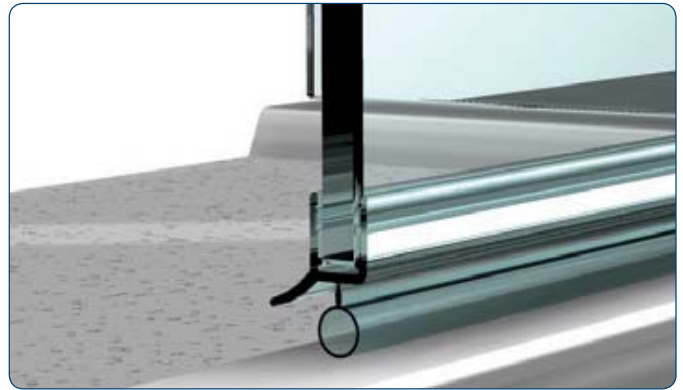




overview sealing profiles and splash guards



sealing profile with splash guard



sealing profile without splash guard



sealing profile chrome design



magnetical sealing profile chrome design



sealing profile glass-wall



sealing profile glass-glass

