

sauna heavy-duty striker door hinge – TURA SN



NEW

TURA SN

sauna heavy-duty striker door hinge TURA

NEW



TURA SN - versatile solutions for large all-glass installations

The new sauna series TURA-SN offers you a hardware program with very high load-bearing capacity. This allows the all-glass doors to shine with with larger dimensions and more weight.

During the production of the sauna hardware, materials are used which meet and withstand these special requirements. This ensures its first-class functionality even at ambient temperatures of up to 100° C. This has been proven by our rigorous tests with the maximum permissible door dimensions.

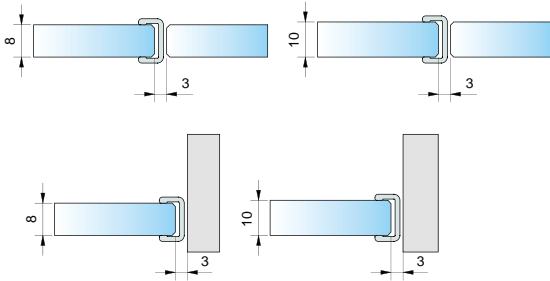
- Load capacity (2 hinges): 50kg
corresponds to a glass door panel of 1000 x 2000 mm
with a glass thickness of 10 mm
max. door panel width: 1000 mm
max. door panel height: 2700 mm
- striker door hinge: glass-wall / glass-glass
- suitable angle brackets
- closed position not adjustable
- hardware height: 122 mm
- continuous seal
- areas of application:
wellness area, barrier-free bathrooms, public areas

sauna heavy-duty striker door hinge – TURA SN



- glass thickness: 8/10/12 mm
- suitable angle brackets
- max. temperature at the upper hinge 80°C (corresponded to a value setting of a sauna temperature setting of 100°C)
- closed position **not** adjustable
- door fixing „**on-site**“ with e.g. roller catches
- installation only with **door-stop**
- three drillings in the glass allow a higher load capacity
- or wall mounting we offer extra long DIN9135 screws - see page 201

■ For the best possible protection and sealing, we recommend to install all TURA sauna hinges with the seal profile 8848-KU0-8(10)-2500.



8961ZN-SN
glass-wall 90°



8962ZN-SN
glass-wall 90°

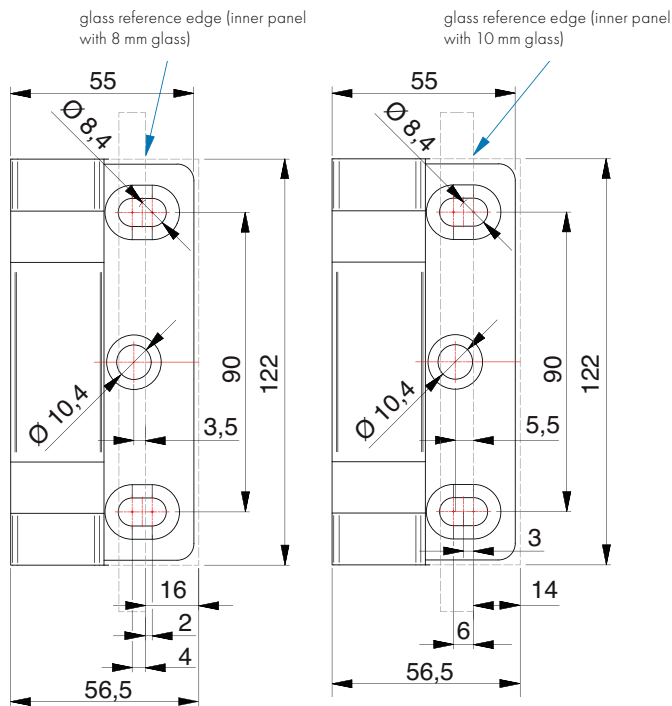


8960ZN-SN
glass-glass 90°/180°

dimensions wall mounting

8962ZN

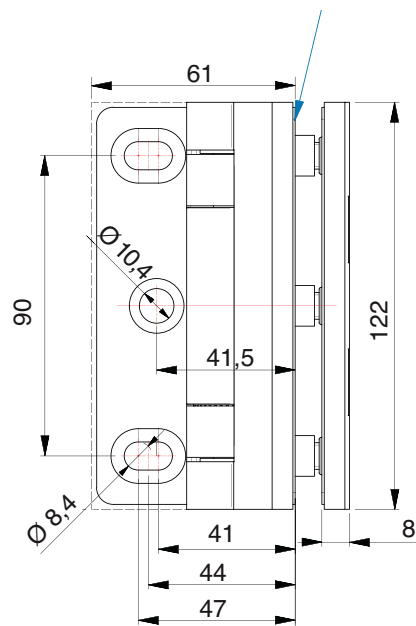
opening outwards



8961ZN

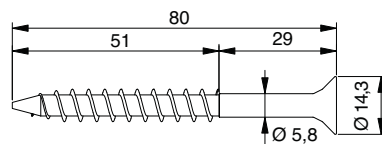
opening outwards/ inwards

glass reference
glass edge inner panel - wall mounting inside, with 8/10 mm
glass edge outer panel - wall mounting outside, with 8/10 mm

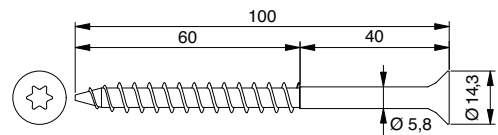


accessories - screws

chipboard screw DIN9135



article no. Z100VA features countersink head, TX40 drive 8x80 A2



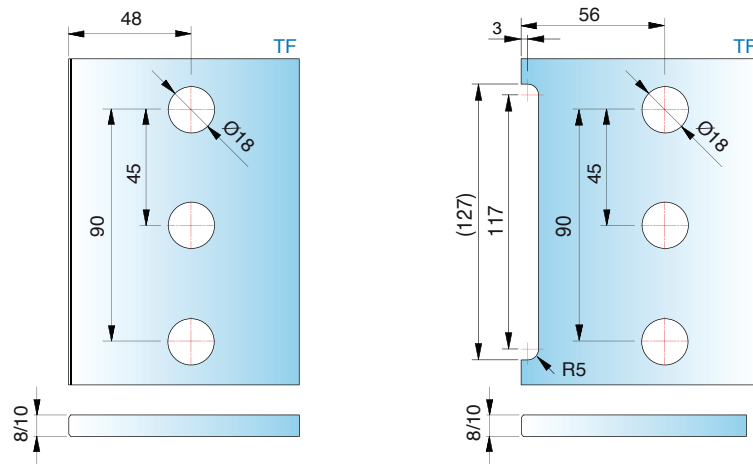
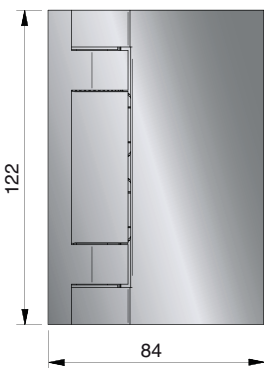
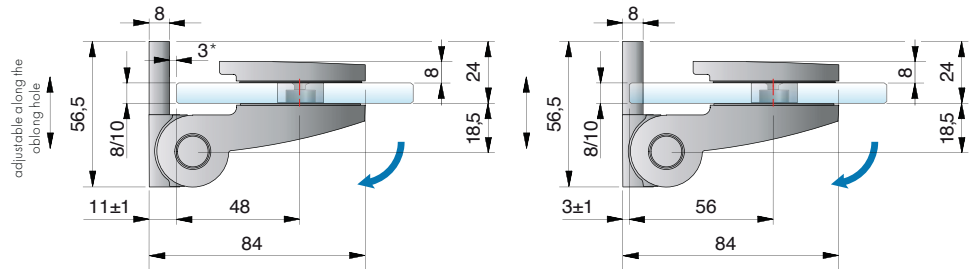
article no. Z101VA features countersink head, TX40 drive 8x100

TURA SN

sauna heavy-duty striker door hinge – TURA SN

NEW

for 8/10/12 mm glass



*We recommend seal 8848-KU0-8(10)-2500 with at least 3 mm spacing

article no.	finish	glass thickness	article description	features	pu/pieces
8962ZN5-SN	gloss chrome	8/10/12 mm	TURA SN heavy-duty striker door hinge for sauna, glass-wall 90°	one-sided opening outwards minimum 90°, concealed screws, wall mounting inside with oblong hole,	1/2
8962ZN1-SN	mat chrome				
8962ZNPVD22-SN	stainless steel optic				

ST = side panel | TF = door panel | W = wall

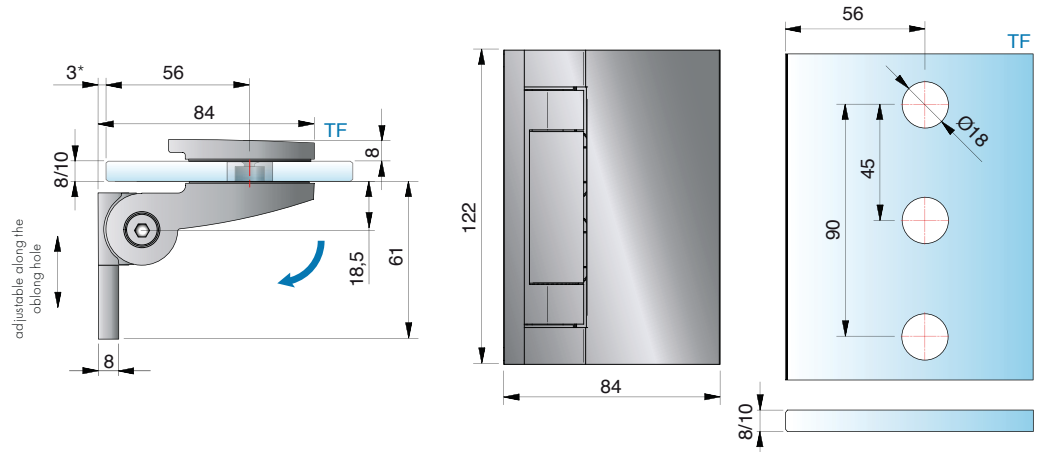


sauna heavy-duty striker door hinge – TURA SN

NEW



for 8/10/12 mm glass

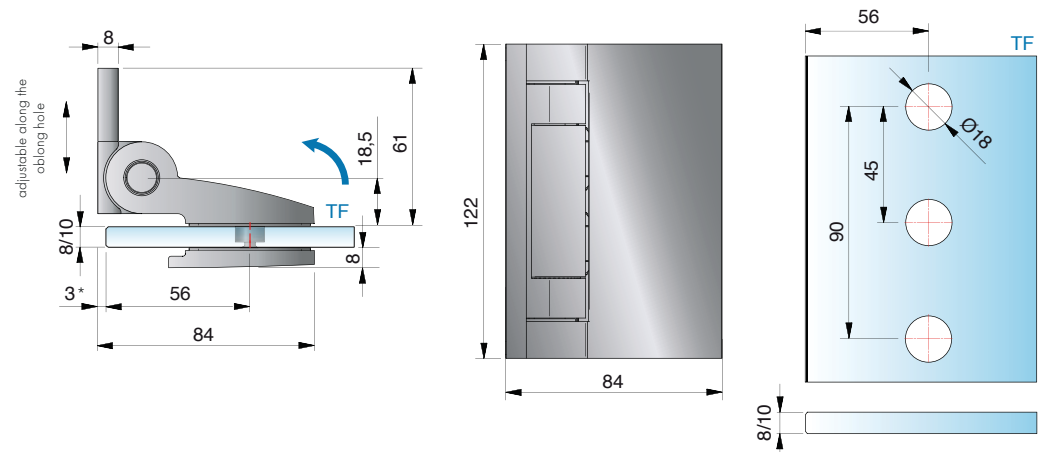


article no.	finish	glass thickness	article description	features	pu/pieces
8961ZN5-SN	gloss chrome	8/10/12 mm	TURA SN heavy-duty striker door hinge for sauna,	one-sided opening outwards minimum 90°, concealed screws,	1/2
8961ZN1-SN	matt chrome		hinge for sauna,	wall mounting inside with oblong hole	
8961ZNPVD22-SN	stainless steel optic		glass-wall 90°		

NEW



for 8/10/12 mm glass



article no.	finish	glass thickness	article description	features	pu/pieces
8961ZN5-SN	gloss chrome	8/10/12 mm	TURA SN heavy-duty striker door hinge for sauna,	one-sided opening inwards minimum 90°, concealed screws,	1/2
8961ZN1-SN	matt chrome		hinge for sauna,	wall mounting inside with oblong hole	
8961ZNPVD22-SN	stainless steel optic		glass-wall 90°		

ST = Seitenteil | TF = Türflügel | W = Wand



*We recommend seal 8848-KU0-8(10)-2500 with at least 3 mm spacing

sauna heavy-duty striker door hinge – TURA SN



■ care instructions

The sauna hardware should only be wiped clean with warm water and a soft cloth and then dried. Sharp, aggressive, alkaline or chlorine-containing cleaners, abrasives or solvents may not be used.

In the case of heavier stains (lime, grease, soap stains) we recommend our special cleaning agent "gentle care" for hardware - see page 331. The door must be held with one hand during cleaning to prevent excessive pressure on the door.

niches



corner solutions



U-shaped saunas



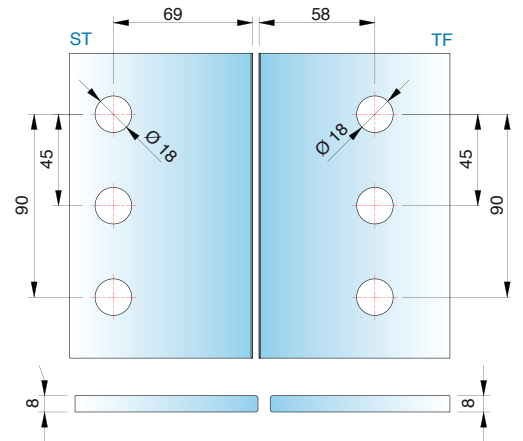
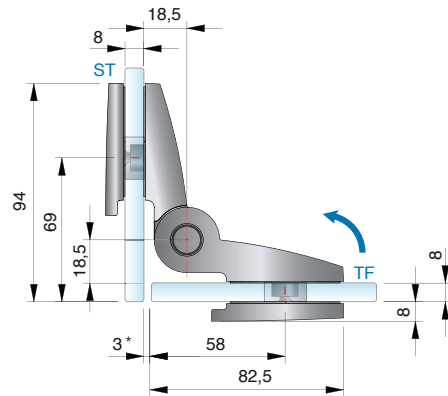
- many different installation situations possible
- Sauna hinges and glass must be protected from damage. Therefore, when planning the sauna situation it is necessary to take into account that the door panels must not be opened over (max. 90°). We can plan customized solutions together with you - contact us!



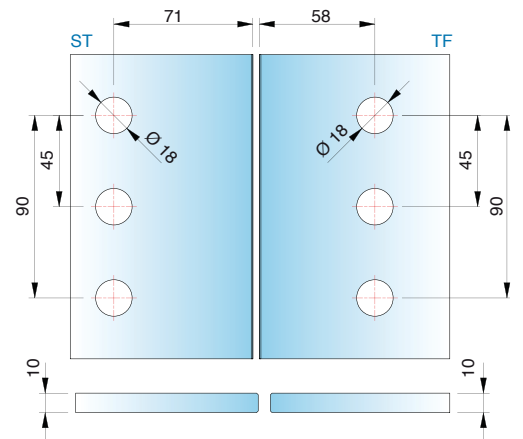
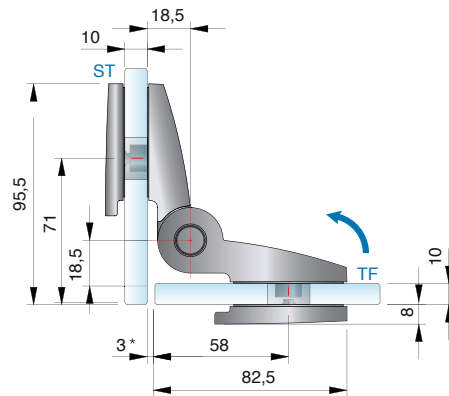
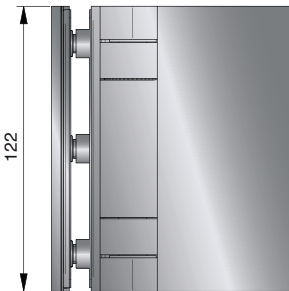
Please observe our installation instructions starting on page 382.

sauna heavy-duty striker door hinge – TURA SN

for 8 mm glass



for 10 mm glass



You can request the glass processing for 12 mm glass from our technical department.

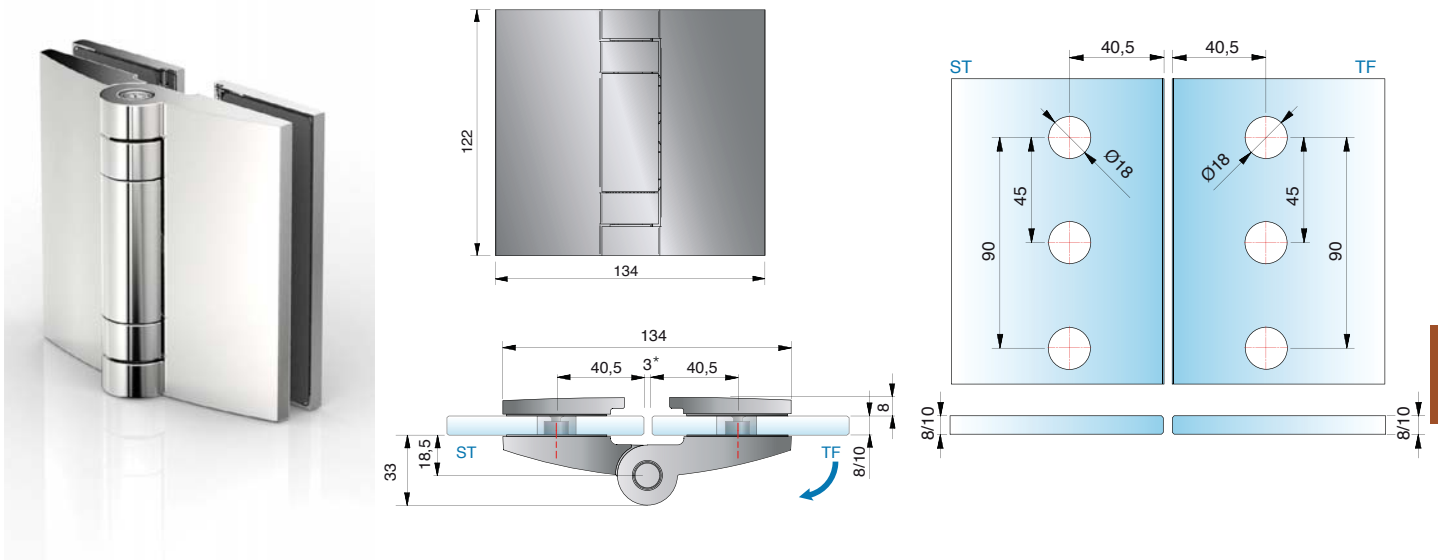
article no.	finish	glass thickness	article description	features	pu/pieces
8960ZN5-SN	gloss chrome	8/10/12 mm	TURA SN heavy-duty striker door hinge	one-sided opening inwards minimum 90°, concealed screws	1/2
8960ZN1-SN	matt chrome		for sauna		
8960ZNPVD22-SN	stainless steel optic		glass-glass 90°		



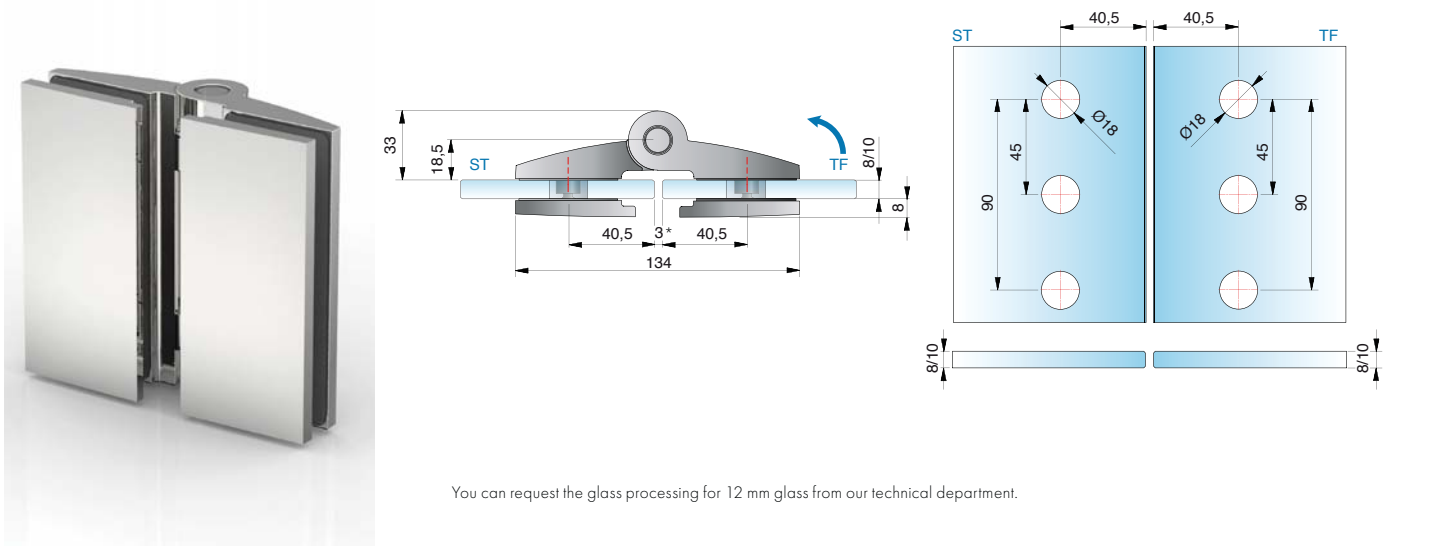
*We recommend seal 8848-KU0-8(10)-2500 with at least 3 mm spacing

sauna heavy-duty striker door hinge – TURA SN

for 8/10/12 mm glass



for 8/10/12 mm glass



You can request the glass processing for 12 mm glass from our technical department.

article no.	finish	glass thickness	article description	features	pu/pieces
8960ZN5-SN	gloss chrome	8/10/12 mm	TURA heavy-duty striker door hinge	one-sided opening inwards or outwards minimum 180°	1/2
8960ZNI-SN	matt chrome		for sauna	concealed screws,	
8960ZNPVD22-SN	stainless steel		glass-glass 180°		
	optic				

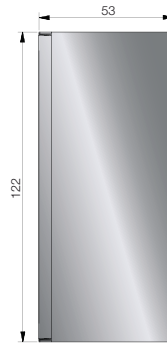
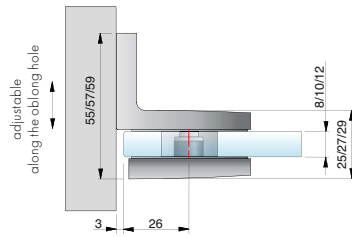
ST = Seitenteil | TF = Türflügel | W = Wand



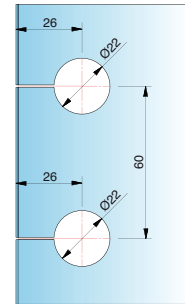
*We recommend seal 8848-KU0-8(10)-2500 with at least 3 mm spacing



sauna angle bracket – TURA SN

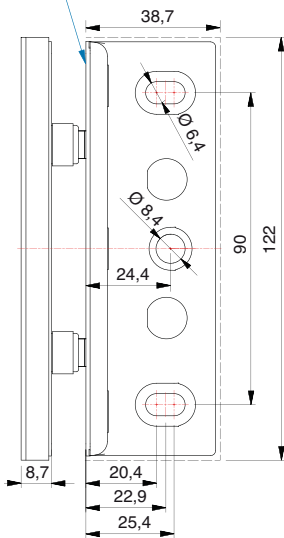


glass processing for 8/10/12 mm

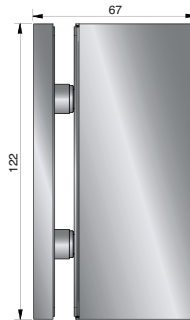
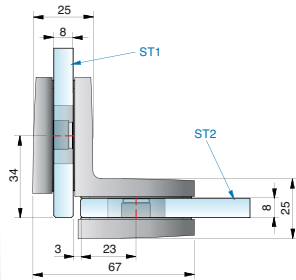


article no.	finish	glass thickness	article description	features	pu/pieces
8968ZN5	gloss chrome	8/10/12 mm	angle bracket TURA	concealed screws, wall mount	1/2
8968ZN1	matte chrome		glass-wall 90°	with oblong hole adjustment	
8968ZNPVD22	stainless steel optic				

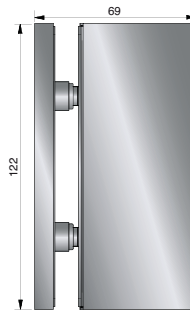
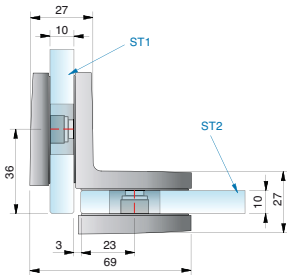
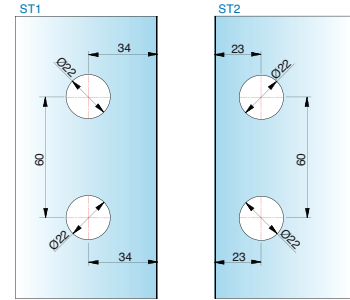
glass reference edge (inner panel with 8/10/12 mm glass)



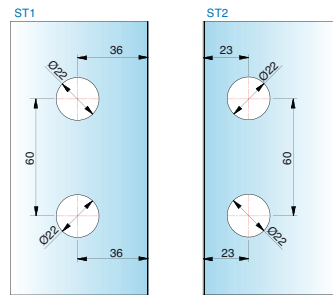
sauna angle bracket – TURA



glass processing for 8 mm



glass processing for 10 mm



TURA SN

article no.	finish	glass thickness	article description	features	pu/pieces
8969ZN5	gloss chrome	8/10/12 mm	angle bracket TURA	concealed screws	1/2
8969ZN1	matte chrome		glass-glass 90°		
8969ZNPVD22	stainless steel optic				