

sauna swing door hinge - FLAMEA⁺ SN



FLAMEA⁺
SN

sauna swing door hinge FLAMEA⁺

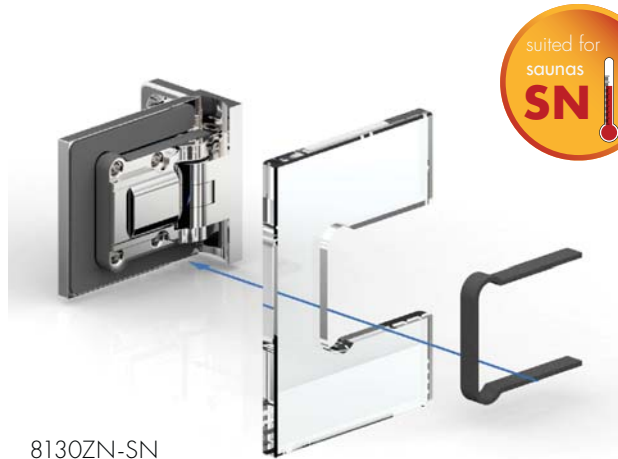


FLAMEA⁺ SAUNA – relentlessly and heat-resistant

With the sauna fitting FLAMEA⁺-SN from Pauli + Sohn, individual wellness oases can be planned - from the small private sauna up to the spacious sauna landscape. In-house tests confirm the optimal functionality when the prescribed door dimensions and their weights as well as the maximum permissible ambient temperature of 100° C are met.

- 90° swing door hinge
- minimized gap distances for the installation in a sauna
- self-closing during the last 15 - 20°
- centered pivot-point, therefore usage as swing door possible
- fully adjustable closed position
- concealed screws

sauna swing door hinge - FLAMEA+ SN



8130ZN-SN

- concealed screws



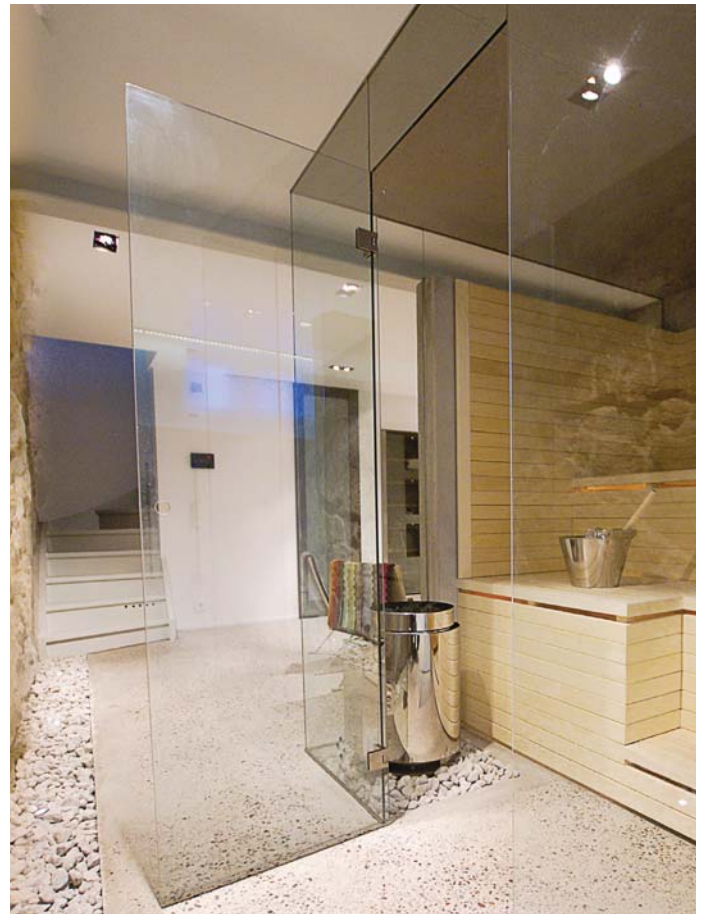
■ care instructions

The sauna hinges are to be cleaned only using warm water and a soft nonabrasive cloth for cleaning and drying. Sharp, aggressive, abrasive, alkaline or chlorine containing cleaners may not be used. While cleaning, the door must be held with one hand to prevent over opening.

For heavier stains (lime, grease, soap) we recommend our special cleaning agent "Gentle Care" for hardware - see page 331.

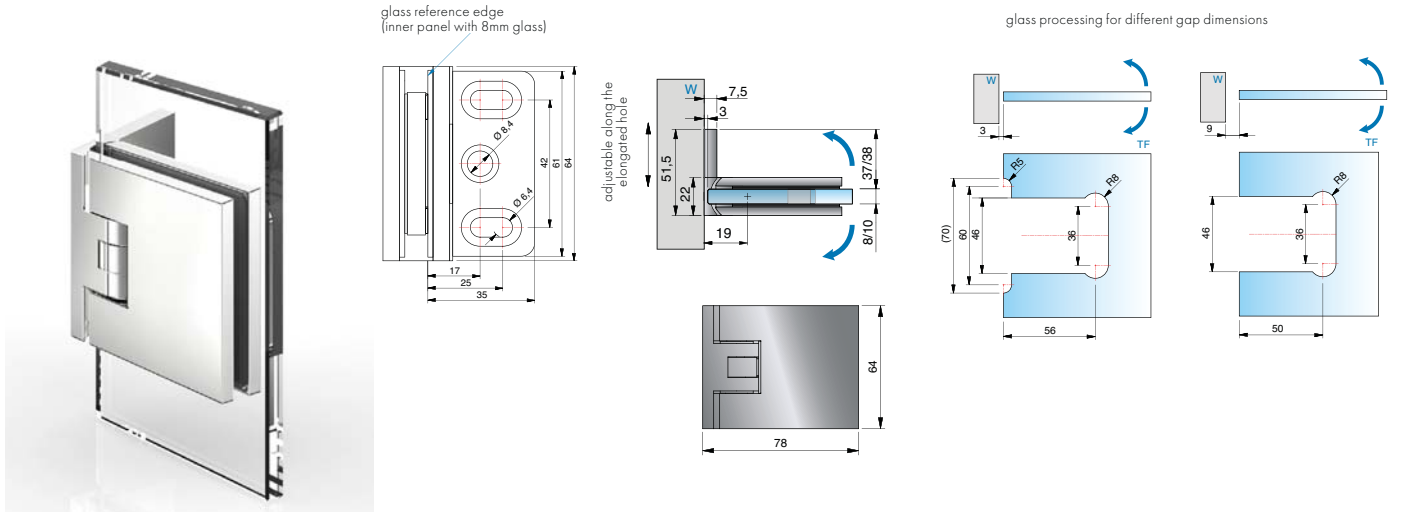
The door must be held firmly with one hand during cleaning to prevent over opening.

- max. temperature in height of the upper hinge (on the surface) 80°C (corresponds a general sauna heat adjustment temperature of 100°C)
- sauna pendulum hinges and glass are to be protected against damage. therefore, when planning sauna situations, take into account that the door panels are not over pressed during opening (maximum 90 °).

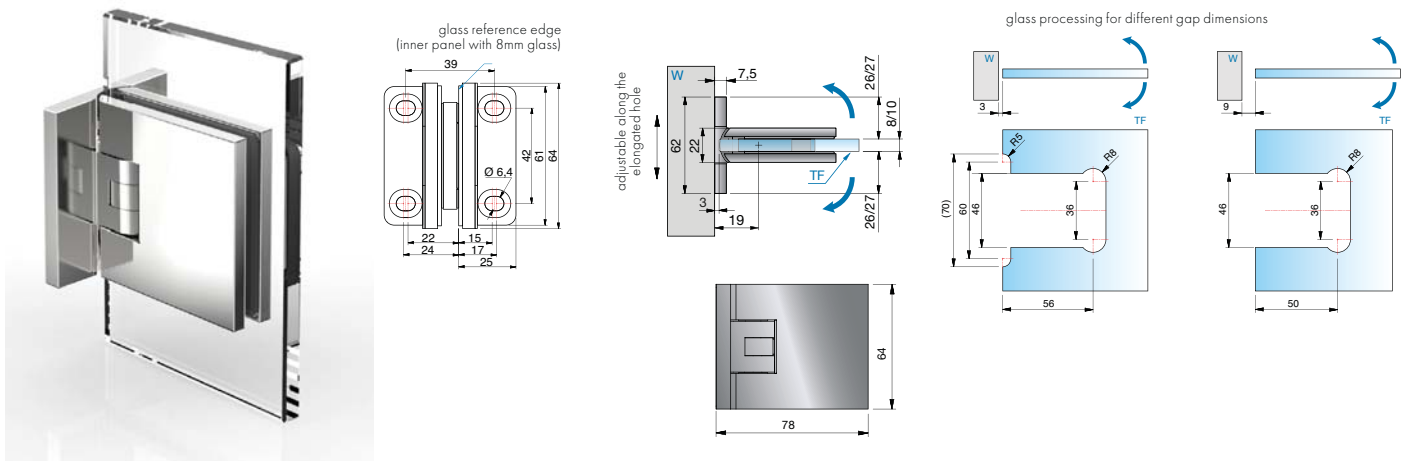


Please note that the instruction manual can be found on page 382.

sauna swing door hinge - FLAMEA+ SN

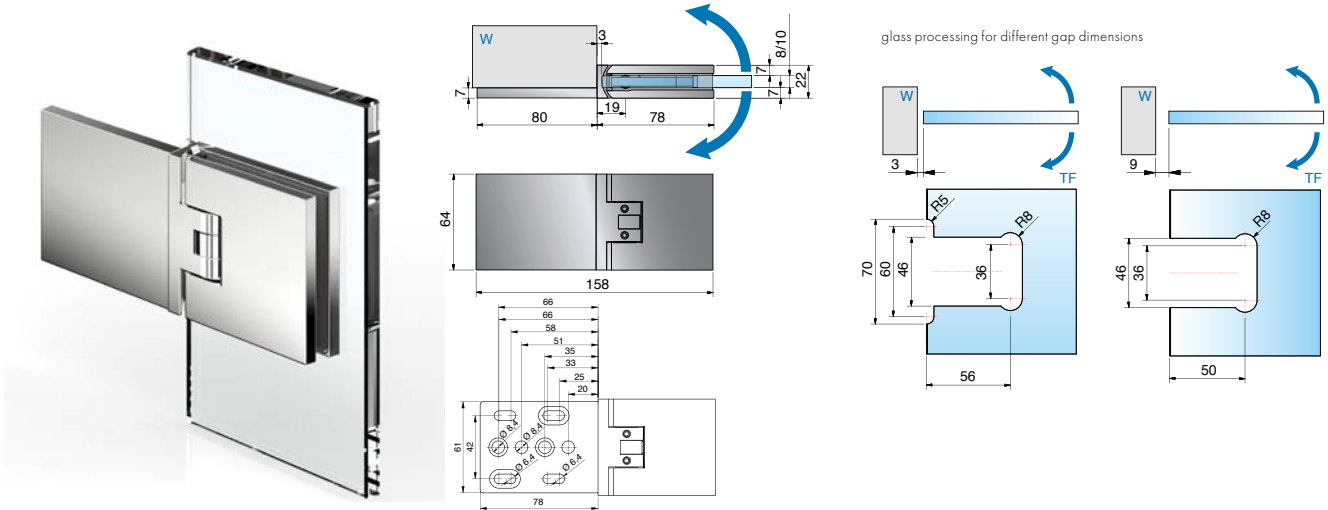


article no.	finish	glass thickness	article description	features	pu/pieces
8130ZN5-SN	gloss chrome	8/10 mm	sauna swing door hinge FLAMEA+	opens in- and outwards 90°, with adjustable closed position, adjustable along the oblong hole, one sided mounting plate, concealed screws When using the hinges for 10 mm glass thickness, please use the insert set Art. No. HX-SET3 per hinge free of charge.	1/2
8130ZN1-SN	matt chrome		glass-wall 90°,		
8130ZN10-SN	gloss nickel		max. door width 800 mm		
8130ZNPVD22-SN	stainless steel optic				
8130ZNPVD20-SN	gold optic				
8130ZNPVD35-SN	black matt				

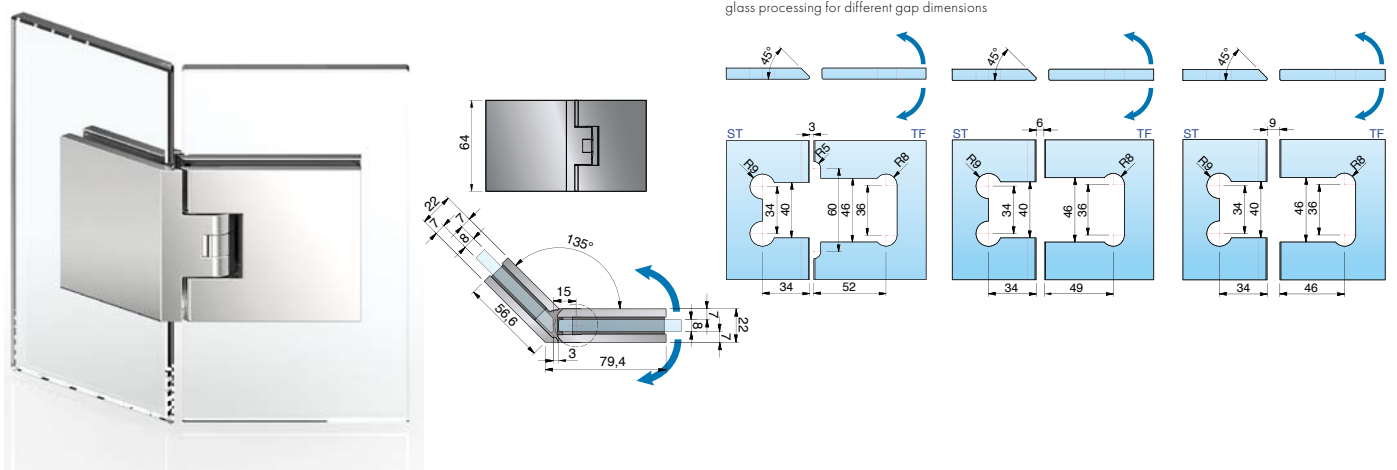


article no.	finish	glass thickness	article description	features	pu/pieces
8134ZN5-SN	gloss chrome	8/10 mm	sauna swing door hinge FLAMEA+	opens in- and outwards 90°, with adjustable closed position, adjustable along the oblong hole, one sided mounting plate, concealed screws When using the hinges for 10 mm glass thickness, please use the insert set Art. No. HX-SET3 per hinge free of charge.	1/2
8134ZN1-SN	matt chrome		glass-wall 90°,		
8134ZN10-SN	gloss nickel		max. door width 900 mm		
8134ZNPVD22-SN	stainless steel optic				
8134ZNPVD20-SN	gold optic				
8134ZNPVD35-SN	black matt				

sauna swing door hinge - FLAMEA+ SN



article no.	finish	glass thickness	article description	features	pu/pieces
8133ZN5-SN	gloss chrome	8/10 mm	sauna swing door hinge FLAMEA+, glass-wall 180°, max. door width 900 mm	opens in- and outwards 90°, with adjustable closed position, adjustable along the oblong hole, concealed screws When using the hinges for 10 mm glass thickness, please use the insert set Art. No. HX-SET3 per hinge free of charge.	1/2
8133ZN1-SN	mat chrome				
8133ZN10-SN	gloss nickel				
8133ZNPVD22-SN	stainless steel optic				
8133ZNPVD20-SN	gold optic				
8133ZNPVD35-SN	black matt		load capacity (2 hinges): 36 kg with max. 900 x 2000 x 8 mm		

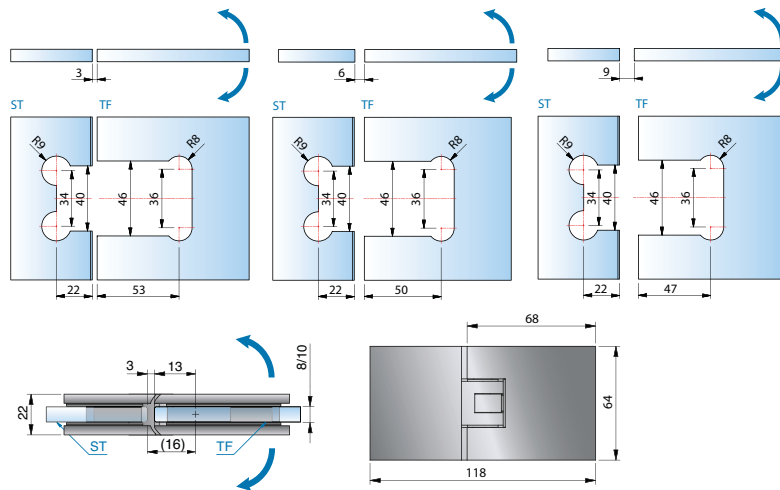


article no.	finish	glass thickness	article description	features	pu/pieces
8131ZN5-SN	gloss chrome	8/10 mm	sauna swing door hinge FLAMEA+, glass-glass 135°, max. door width 750 mm	opens in- and outwards 90°, with adjustable closed position, adjustable along the oblong hole, concealed screws When using the hinges for 10 mm glass thickness, please use the insert set Art. No. HX-SET4 per hinge free of charge.	1/2
8131ZN1-SN	mat chrome				
8131ZN10-SN	gloss nickel				
8131ZNPVD22-SN	stainless steel optic				
8131ZNPVD20-SN	gold optic				
8131ZNPVD35-SN	black matt		load capacity (2 hinges): 30 kg with max. 750 x 2000 x 8 mm		

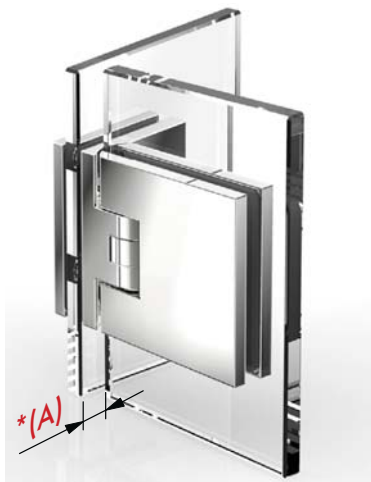
sauna swing door hinge - FLAMEA+ SN



glass processing for different gap dimensions

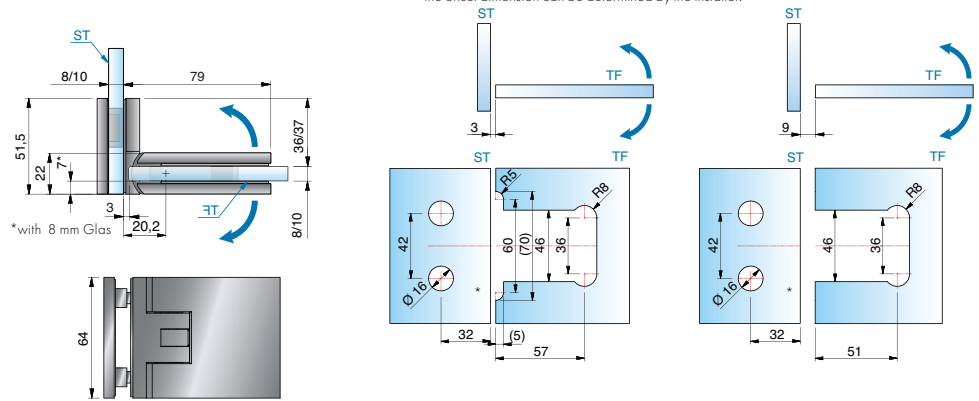


article no.	finish	glass thickness	article description	features	pu/pieces
8132ZN5-SN	gloss chrome	8/10 mm	sauna swing door hinge FLAMEA+, glass-glass 180°, max. door width 750 mm	opens in- and outwards 90°, with adjustable closed position, adjustable along the oblong hole, concealed screws the insert (8132-10KU-SN) which prevents the door leaf from sliding-down is included free of charge. When using the hinges for 10 mm glass thickness, please use the insert set Art. No. HX-SET4 per hinge free of charge.	1/2
8132ZN1-SN	matte chrome				
8132ZN10-SN	gloss nickel				
8132ZNPVD22-SN	stainless steel optic				
8132ZNPVD20-SN	gold optic				
8132ZNPVD35-SN	black matt				



glass processing for different gap dimensions

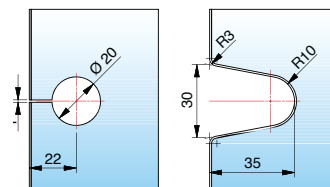
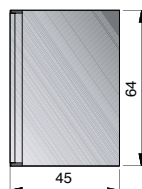
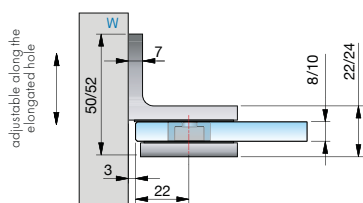
*the offset dimension can be determined by the installer.



article no.	finish	glass thickness	article description	features	pu/pieces
8136ZN5-SN	gloss chrome	8/10 mm	sauna swing door hinge FLAMEA+, glass-glass 90°, max. door width 800 mm	opens in- and outwards 90°, with adjustable closed position, adjustable along the oblong hole, concealed screws * offset dimensions (A) on the side panel can be determined by the installer When using the hinges for 10 mm glass thickness, please use the insert set Art. No. HX-SET3 per hinge free of charge.	1/2
8136ZN1-SN	matte chrome				
8136ZN10-SN	gloss nickel				
8136ZNPVD22-SN	stainless steel optic				
8136ZNPVD20-SN	gold optic				
8136ZNPVD35-SN	black matt				

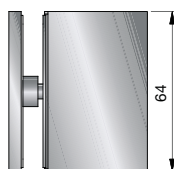
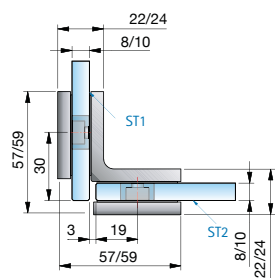
sauna swing door hinge - FLAMEA+ SN

glass processing for 8/10 mm
hole \varnothing 20 mm or edge recess R3.5

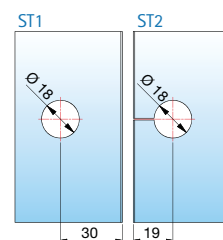


FLAMEA+
SN

article no.	finish	glass thickness	article description	features	pu/pieces
8194ZN5-SN	gloss chrome	8/10 mm	sauna angle bracket FLAMEA+	adjustable along the oblong hole, concealed screws with cover plate	1/2
8194ZN1-SN	mat chrome		glass-wall 90°		
8194ZN10-SN	gloss nickel				
8194ZNPVD22-SN	stainless steel optic				
8194ZNPVD20-SN	gold optic				
8194ZNPVD35-SN	black matt				



glass processing for 8 mm

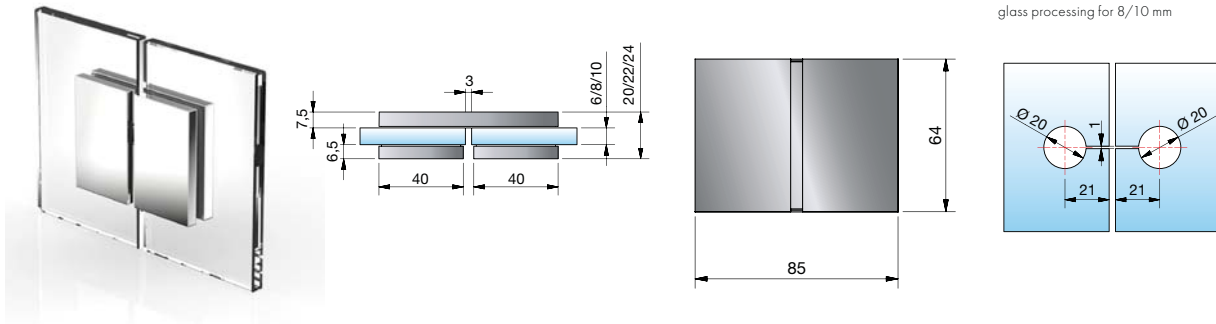


article no.	finish	glass thickness	article description	features	pu/pieces
8196ZN5-SN	gloss chrome	8/10 mm	sauna angle bracket FLAMEA+	concealed screws with cover plate	1/2
8196ZN1-SN	mat chrome		glass-glass 90°		
8196ZN10-SN	gloss nickel				
8196ZNPVD22-SN	stainless steel optic				
8196ZNPVD20-SN	gold optic				
8196ZNPVD35-SN	black matt				

TF = door panel | W = wall



sauna swing door hinge - FLAMEA+ SN

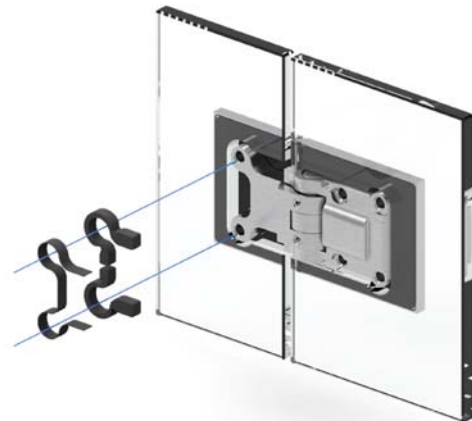


article no.	finish	glass thickness	article description	features	pu/pieces
8191ZN5-SN	gloss chrome	8/10 mm	sauna angle bracket FLAMEA+	concealed screws with cover plate	1/2
8191ZN1-SN	matt chrome		glass-glass 90°		
8191ZNPVD22-SN	stainless steel optic				

8132-3EPDM



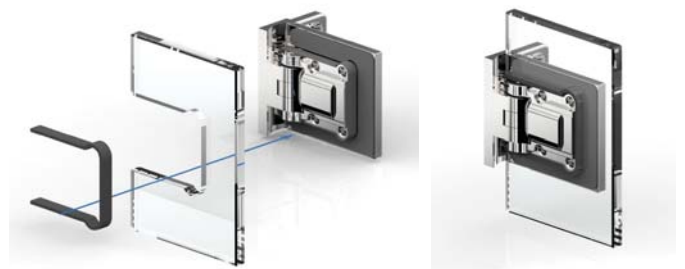
8132-10KU-SN



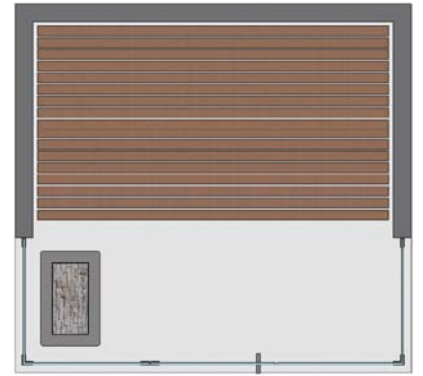
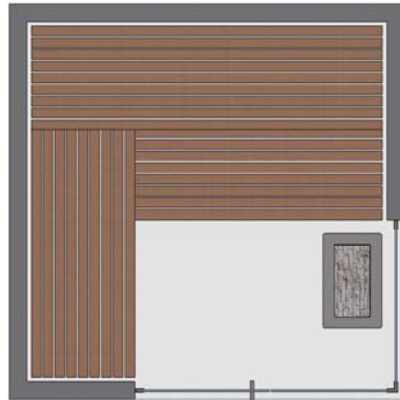
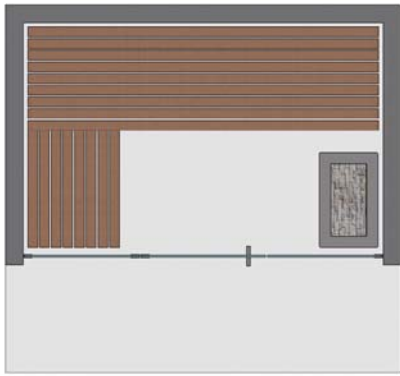
article no.	article description	pu/pieces
8132-10KU-SN	filler piece for glass cutout of the side panel mounting for	1/1
8132-3EPDM	8131ZN-SN and 8132ZN-SN (2 pieces per hinge included).	



article no.	article description	pu/pieces
8878FKM-1	insert for glass recess, 300x8x1 mm	1/1
8878FKM-2	insert for glass recess, 300x8x2 mm	



sauna swing door hinge - FLAMEA+ SN



FLAMEA+
SN

- many different installation situations are possible. when planning the system, make sure that the door panels are not to be over-opened (max.90°)! together, we can plan tailor-made solutions. - contact us!



8130ZN-SN

- max. door width 800 mm
- loading capacity (2 hinges): 32 kg (corresponding to a glass door with the dimension 800 x 2000 mm and a glass thickness of 8 mm)



8134ZN-SN

- max. door width 900 mm
- loading capacity (2 hinges): 36 kg (corresponding to a glass door with the dimension 900 x 2000 mm and a glass thickness of 8 mm)



8133ZN-SN

- max. door width 750 mm
- loading capacity (2 hinges): 30 kg (corresponding to a glass door with the dimension 750 x 2000 mm and a glass thickness of 8 mm)



8136ZN-SN

- max. door width 800 mm
- loading capacity (2 hinges): 32 kg (corresponding to a glass door with the dimension 800 x 2000 mm and a glass thickness of 8 mm)



8132ZN-SN

- max. door width 750 mm
- loading capacity (2 hinges): 30 kg (corresponding to a glass door with the dimension 750 x 2000 mm and a glass thickness of 8 mm)



8131ZN-SN

- max. door width 750 mm
- loading capacity (2 hinges): 30 kg (corresponding to a glass door with the dimension 750 x 2000 mm and a glass thickness of 8 mm)

shower swing door hinge - FLAMEA



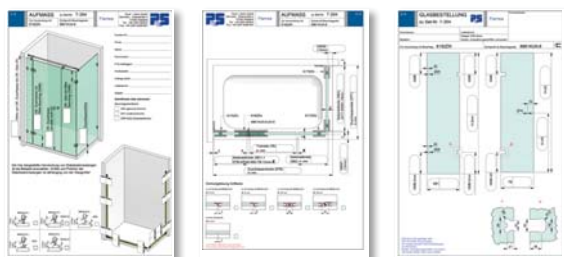
corresponding angle brackets

for FLAMEA can be found on page 168.



our service for you!

On www.pauli.de you can find many different measurement sheets for all standard installations.



MADE
IN
GERMANY

**Black
EDITION**